

RACC@WAY®

e - motorcycles

LANGUAGES / JAZYKY



(EN) USER'S MANUAL 1-29

[CLICK HERE](#)



(CZ) UŽIVATELSKÁ PŘÍRUČKA..... 30-53

[KLIKNI ZDE](#)



(SK) UŽIVATEĽSKÁ PRÍRUČKA 54-78

[KLIKNI TU](#)



(ES) MANUAL DE USUARIO 79 - 102

[CLICK HERE](#)



RACC@WAY®

RACC@WAY®

e - motorcycles

(EN) USER' MANUAL



- VIA



RACC@WAY®

**READ THIS MANUAL BEFORE OPERATING YOUR E-SCOOTER
STRONGLY SUGGEST THE OPERATOR OF THIS PRODUCT BE 16 YEARS OF AGE OR OLDER**

For the most recent version of this user's manual and for all updated product information, please contact with the local dealer.

YOUR INSURANCE POLICIES MAY NOT PROVIDE COVERAGE FOR ACCIDENTS INVOLVING USE OF THE E-SCOOTER. TO DETERMINE IF COVERAGE IS PROVIDED YOU SHOULD CONTACT YOUR INSURANCE COMPANY OF AGENT

Introduction

Dear Customer,

Wow! You are excited! You have just received our brand new E-Scooter! We are excited too, because as designers and developers of our e-scooters, we want to make you happy, and we believe that your new e-scooters will give you lots of fun.

I know that you want to get this scooters on the road immediately, but **please STOP!**

Why? Well, first of all, you need to charge your batteries fully before using it. So, while your e-scooters is charging, take the time to read this manual. We have worked hard to make it as readable and fun as possible! This manual will help prevent injury and teach you how to care for your new e-scooters.

- ▶ It is the Owner's responsibility to carefully read all of the contents of this manual and to comply with all laws pertaining to the operation of electric scooters in your local jurisdiction. If you have any questions please consult with the Laws web page or consult your local V
- ▶ To drive the vehicle on the roads, check local laws.
- ▶ We have worked hard to provide you a quality product, well designed, and without defects. That is our responsibility. You too have a part to play with proper care and maintenance and attention to e-scooters safety rules, our e-scooters will give you years of enjoyment.
- ▶ Please read the instructions carefully before using. Do not ride this bicycle until you have read and thoroughly understand the Owner's manual. It contains information critical to your safety. If you have questions about the operation of this e-scooter, consult your authorized dealer. It is extremely important that you follow the safety guidelines contained in this manual in order to ensure your maximum safety. If you loan your e-scooters to anyone make sure they also know how to operate it safely.
- ▶ When using, the load should not be greater than the maximum capacity, and please pay attention to increase the braking distance during rainy or snowy days.
- ▶ This e-scooter is not afraid of the rain and snow, but it can't be submerged in water. It will cause short circuit and damage to the electric apparatus, when water submerges the rear wheel center.
- ▶ The exposed metal contact on the battery box is positive and negative , can't be touched at the same time with wet hands, also it can't be kept in touch with anything metal at the same time, otherwise it will cause short circuit and accidents!
- ▶ **Please don't dismantle and repair the spare parts by yourself, please go to the local distributor or the servicing station to repair if necessary.**

► Please take time to record the following information:

Recording Your Serial Number

VIN: _____

Model: _____

Color: _____

Date of Purchase : _____

Distributor: _____

TABLE OF CONTENTS

Introduction	3
Record Your Serial Number	4
Table of Contents	5
General safety guidelines	6-8
Before each ride	7
After each ride	8
Vehicle instructions.....	9-11
Operating instructions.....	12-17
Assembly Instructions	18
Driving power system instructions	19
Battery&charger instructions.....	20-22
General Usage Notes	23
Maintenance	24
Troubleshooting	25
Warranty	26
Warranty Service	27
Electrical schematic diagram	28

UNDERSTANDING THIS MANUAL

This Manual contain many **▲ WARNING** notes concerning the consequences of failure to maintain or inspect your E-SCOOTER. A **▲ WARNING** means that failure to follow the instructions following it may result in injury to the rider or others during use, which may include losing control and falling. Because any fall can result in serious injury or even death, we do not repeat the warning of possible injury or death whenever the risk of falling is mentioned. A **▲ CAUTION** on the other hand means that failure to follow the instructions may result in damage to the E-SCOOTER or component during installation or use. (I.e. risk or property (product) damage only).

Thank you for the purchasing the electrical powered Moped, The Moped complies with the Electric Motor Vehicle Safety Regulation.

GENERAL SAFETY GUIDELINES & RESTRICTIONS

1. Don't weave through traffic or make any moves that may surprise people with whom you are sharing the road.
2. Never carry anything which obstructs your vision or your complete control of the E-SCOOTER or which could become entangled in the moving parts of the E-SCOOTER.
3. Never hitch a ride by holding on to another vehicle.
4. By any physically or mentally challenged person
5. By any person with vision, balance, hearing or coordination impairments
6. By any person using headphones or a cellular phone [They mask traffic sounds and emergency vehicle sirens, distract you from concentrating on what's going on around you, and their wires can tangle in the moving parts of the E-SCOOTER , causing you to lose control].
7. To carry more than 15kgs of cargo in the cargo compartment (in addition to the rider).
8. Don't running over 25 km/h (with or without the motor activated)
9. Don't using vehicle by barefoot or those wearing sandals, open toed, high heeled, platform or slip on footwear
10. By any person who has ingested any alcohol or drug that could impair their ability to operate the E-SCOOTER.
11. Without 2 hands on the handle bar.
12. Please seated on the seat while running.
13. Don't jump ramps, curbs, or objects or attempt any stunts.
14. Don't beyond your ability or prior experience.
15. Don't stopping with only the front brake. Use both brakes simultaneously.
16. Do not try to accelerate and have the brake (s) on at the same time.
[This may cause damage to the motor or drive train or cause the motor or drive train to overheat.]

NEITHER MANUFACTURE NOR THE RETAIL SELLER OF THE E-SCOOTER IS RESPONSIBLE FOR THE CONSEQUENCES OF FAILURE TO COMPLY WITH FEDERAL AND PROVINCIAL ORDINANCES RELATING TO THE USE OF THE E-SCOOTER.

! WARNING

ALWAYS USE A HELMET WHILE RIDING THE E-SCOOTER.

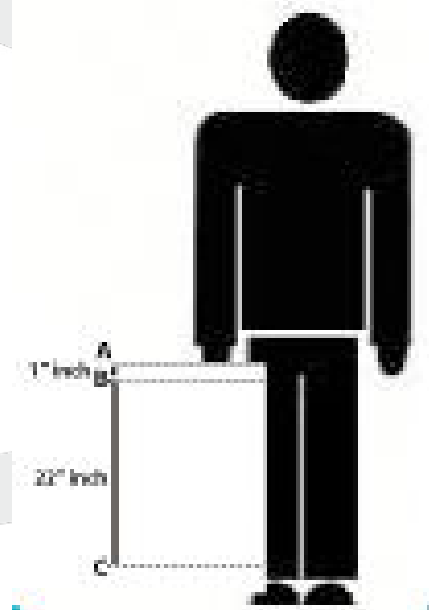
The safety regulations require that you use a helmet like those used by human powered bike riders while riding the E-SCOOTER.

E-SCOOTER should not be used under any circumstances without properly wearing a helmet.

! WARNING

IN ADDITION TO THE REQUIREMENTS ABOVE, THE E-SCOOTER IS NOT TO BE RIDDEN / USED:

1. on any roadways where the speed limit is in excess of 25 km/h
2. on any sidewalks or pedestrian walkways
3. on any bumpy, rough or unpaved surfaces
4. in darkness without lights on
5. on sandy or gravel covered surfaces
6. by any person weighing more than 150 Kgs
7. by any person with an inseam of less than 22"



BEFORE EACH RIDE:

!WARNING

!CAUTION

1. Make sure you properly wear a helmet.
2. Wear protective clothing and gloves.
3. Wear eye protection that does not interfere with your peripheral vision.
4. Check local and state laws before operating the E-SCOOTER in any area.
5. Make sure all tail/brake lights, turn signals and headlight are operational.
6. Make sure the horn is operational.
7. Make sure the brakes are properly adjusted and working correctly (see further detailed

instructions).

8. Make sure you understand how the brakes work and that your hands can reach and squeeze the levers comfortably and hard enough to stop the E-SCOOTER safely.
9. Make sure all parts of the E-SCOOTER are properly and securely fastened and adjusted, including but not limited to wheels, all controls and cargo (Please refer to Assembly Instructions).
10. Make sure the tires are not excessively worn, do not have tears or cuts, and are properly seated on the rim and inflated to the proper pressure on the sidewall
11. Make sure the wheels spin straight and that the rims are not bent or damaged (front wheel must be undamaged for front brake to work properly).
12. Make sure the throttle is in the "OFF" position before turning E-SCOOTER key on.
This will prevent the E-SCOOTER from moving forward without notice once the ignition key is turned.
13. Make sure the "Air Switch" under the seat is in the "On" position before turning key on.

AFTER

!WARNING

!CAUTION

1. Make sure that the ignition key is turned OFF and that all keys are removed and kept in a safe place.
2. Make sure to plug the battery on charge.
3. Make sure the throttle is rotated to the off position
4. Ensure the E-SCOOTER is not kept outdoors or where moisture can damage it
5. Do not charge or store the E-SCOOTER closer than 20 feet from any flame (e.g. furnace, fireplace, water heater, space heater).
6. Do not allow children under 16 to play on or near the unattended E-SCOOTER.

!WARNING FAILURE TO FOLLOW THESE OPERATION INSTRUCTIONS CAN RESULT IN SERIOUS INJURY OR DEATH OR COULD RESULT IN AN ELECTRICAL SHORT AND OR FIRE.

!WARNING DO NOT MAKE ANY ALTERATIONS OR MODIFICATIONS TO THE MOTORINOTM , OR ADD ANY PARTS NOT AUTHORIZED BY Manufacturer EXCEPT THOSE DISCUSSED IN THIS MANUAL OR THOSE REQUIRED BY LAW. DO NOT REMOVE ANY REFLECTORS, LIGHTS OR OTHER STANDARD EQUIPMENT. DOING THAT WILL VOID YOUR WARRANTY.

All authorized replacement parts are listed on the parts list enclosed or by calling your local dealer.

VEHICLE INSTRUCTIONS



VEHICLE INSTRUCTIONS



List of Parts.

1	Head Light	18	Speed Meter	35	
2	Rear Mirror	19	Head Light Switch	36	
3	Rear Brake Bar	20	Turning Light Switch	37	
4	Front Brake Bar	21	Horn Button	38	Rear Absorber
5		22	Grip	39	Motor
6	Front Turning Light	23	Head Light Switch	40	Differential
7	Front Wheel	24	REVERSE Switch	41	Controller
8	Seat	25	Throttle	42	DC-DC
9	Rear Basket	26	TORQUE Switch	43	Battery Box
10	Rear Light	27	Ignition Lock	44	Brake Adjust Nut
11	Seat Lock	28	Front Storage Area	45	Rear Drum Brake
12	Rear License Light	29			
13	Rear Anti-roll Wheel	30	Parking Brake Pin		
14	Rear Wheel	31	Air Switch		
15	Seat Adjust Holder	32	Front Drum Brake		
16	Seat Rest	33	Front Absorber		

17	Charger Socket	34		
----	----------------	----	--	--

SPEED METER INSTRUCTIONS



SPEED METER INSTRUCTIONS					
1	Left turning indicator	6	Battery lever	11	Brake fault
2	Right turning indicator	7	Range lever		
3	Speed gear	8	Motor fault		
4	Speed number	9	Throttle fault		
5	High beam indicator	10	Controller fault		

1. Motor fault: Motor Sensor/Motor inner coil/Motor cable broken

2. Throttle fault: Throttle cable/Throttle sensor/Connector broken. Also may be because the throttle does not return to stop position.

3. Controller fault: Mosfet or other parts inside controller broken.

4. Brake fault: Brake switch/cable/connector broken.

If any of these fault logo shows on speed meter, at same time you are not operating any thing, means something wrong with vehicle so you need check vehicle or call you local dealer.

Brake fault logo also will be on when you pull the brake bar.

KEY OPERATION



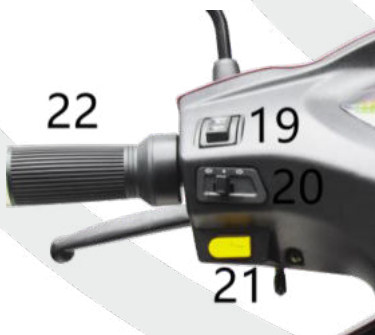
ON/OFF/LOCK Switch: (ignition)

1. E-SCOOTER is ON. Turn it ON only when you are ready to go. Turn it OFF when you are not riding and remove key.
2. E-SCOOTER is OFF. Turn it OFF when not in use to preserve the battery. The key can be removed.
3. Push the key and turn from position "2" to position "4" to lock the handlebar.
4. Handlebar is locked. The key also can be removed.

!CAUTION BEFORE OPERATING YOUR E-SCOOTER, MAKE SURE THAT THE THROTTLE GRIP IS NOT ROTATED TO THE "ON" POSITION!!! MAKE ALSO SURE THAT YOUR THROTTLE IS NOT "STICKY" AND ROTATES FREELY BACK TO THE INITIAL POSITION SEE PICTURE FOR CORRECT PLACEMENT OF LEVER BEFORE USAGE!!!

CONTROL SWITCHES

The Mobility Scooter uses a speed changing throttle grip. It is on the right side of the handlebar. Rotate the throttle grip toward the seat to accelerate and rotate forward away from the seat to slow down.



control switches
and throttle



It is suggested after acceleration to turn back 1/4 turn the throttle. This will increase your range and increase your battery life.

THROTTLE OPERATING INSTRUCTIONS

1. Turn the key to the 'ON' position, then turn the Throttle Gradually to accelerate.
2. To prevent losing control of the vehicle, please turn the Throttle slowly until the speed increases.
3. Do not turn the Throttle until you are in the position to drive.
4. To stop, release the throttle and apply the front and rear brake simultaneously. You can decelerate by slightly pressing the brakes to start regeneration mode.
5. To move, release the brakes and turn the Throttle gradually.
6. When you turn move the turn signal switch left or right and don't forget to press it to turn it off.
7. The Brush less motor makes a small electromagnetic noise when turning the Throttle to start. This is normal.
8. Please, for your safety and security, take the key out when you are not riding.



Reverse Gear

1. The Reverse Button is located beside the throttle
2. When motor stopped you can push the button change to reverse gear, and when you push again the vehicle will go forward again.
3. If in the reverse gear all the turning light will works, also buzzer makes some sound.
4. Some model speed meter will shows "R" when system in reverse gear.
5. For safely when in reverse gear, speed will be limited.



The distance and speed depend upon various elements of the rider's style and the road conditions. A constant speed and less stops will ensure longer range. Other factors include weather, vehicle condition, and battery charge. Drivers must be cautious when driving on rough roads, in poor weather, or when the battery charge is low. Always check the battery gauge while you are riding and be sure that it does not get too low too often.

TORQUE/GEAR OPERATING INSTRUCTIONS

The vehicle have three gears.

- 1.Gear 1 Less Speed and Less Torque (Economy mode).
- 2.Gear 2 More Speed and More Torque (Comfortable mode).
- 3.Gear 3 MAX Speed and MAX Torque (Climbing mode).

The torque/gear switch is located beside the throttle.

- 1.If you are driving on a flat or low hill road, you can use Gear 1 to get maximum range.
- 2.When you ride on moderate hills, or you want faster you can use Gear 2.
- 3.When you ride on steep hill you should switch to high torque for maximum performance(Gear 3).

For safely when you turn on the key,system always set the Gear Option at Gear 1,you can choose different gear as needed.

Speed Meter also shows different Gear Number



LIGHTS&HORN OPERATING INSTRUCTIONS

- 1.NO.23 is Head Light switch
- 2.NO.19 is High Beam switch
- 3.NO.20 is Turning Light switch
- 4.NO.21 is Horn button
- 5.NO.26 is TORQUE/GEAR switch
- 6.NO.24 is REVERSE/GEAR switch



BRAKE SYSTEM INSTRUCTIONS

Vehicle have three kinds brakes

1. Normal mechanical brake
2. Regenerative brake
3. Parking brake

Using front and rear brake bar to control the front and rear mechanical brake.

Regenerative brake is Automatically activated by using front or rear mechanical brake.

Parking brake can lock rear left and right side wheels.

First pull the rear brake bar and push the guide pillar (Part No.30) and then release the brake bar.

The parking function is effective at slopes below 13°

Fasten the rear brake cable nut(part No.44) while the parking brake can not hold the vehicle



SEAT UNTI INSTRUCTIONS

SEAT SYSTEM INSTRUCTIONS

The seat can move back and forth
Pull the holder (part No.15)to release the lock
for seat

**PLEASE DO NOT MOVE THE SEAT AT
LAST POSTION WHILE IN MOUNTAION
AREA OR CLIMBING AREA.**

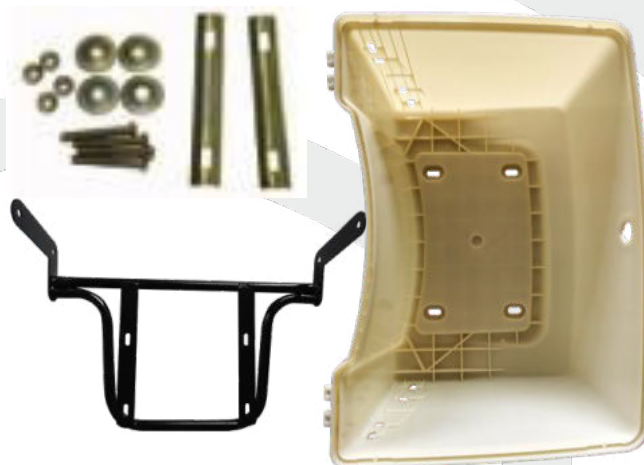


ASSEMBLY INSTRUCTIONS

Instructions described below with supporting pictures.

STORAGE BOX

Locate the storage box and mount it on the back of the seat back. With 4 pcs M6 screw.



STORAGE BASKET

Locate the storage basket and mount it on the back of the seat back. With 4 pcs M6 screw.



REARVIEW MIRRORS

Locate the mirrors included with your SCOOTER . Use a No.14 open spanner assembly the mirrors as shown in the pictures. After that you can adjust the view for the mirror.



DRIVING POWER SYSTEM INSTRUCTIONS

scooters driving power system consist of four main components:

- Battery
- Controller
- Throttle
- Motor

When the throttle is twisted, a signal goes to the controller, relevant to the angle of turning. Then the controller draws from the battery current, relevant to the required speed, controlled by the throttle and the power necessary to start the scooter or drive it uphill.

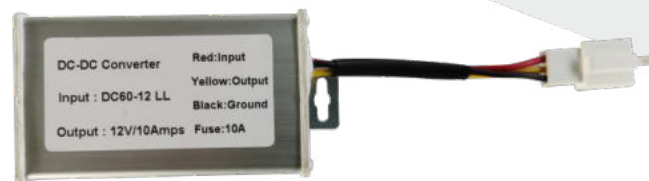
The higher the driving speed is and the steeper the hill is, the lower the range of the E-SCOOTER is. A second battery can be connected to the extra battery cable to extend the range.

The main breaker under the seat works as a high current protector.

60V DC to 12V DC converter makes the voltage to 12V. All light bulbs work on 12V.

When the E-SCOOTER is stored for a long period of time the main breaker to be turned OFF.

Turning the throttle all the way up and riding the scooter all the time on a full throttle will also reduce the range and the battery life. We suggest you to start smoothly and turn the throttle 1/4 turn down when you have built a momentum.



BATTERY AND CHARGER INSTRUCTIONS

BEFORE OPERATING YOUR NEW FOR THE FIRST TIME, CHARGE THE BATTERY MOTORINOTM FOR 8-12 HOURS, BUT UNDER NO CIRCUMSTANCES IN EXCESS OF 18 HOURS. Be sure to charge the vehicle after each use. Keeping the battery properly charged will help extend the battery life. Do not use the vehicle while the power indicator on the instrument panel shows low energy. If the vehicle is over-used the battery's life will be reduced. The vehicle use a 60 (volt) battery pack. To charge the battery, connect the 3-pin plug into the charging receptacle located directly below the front seat. If you notice anything unusual about the battery such as a cracked or leaking battery case, a battery that gets hot while being used or charged, a battery case that appears "puffy" or "bloated" etc, or there are any other problems with the battery, please contact your local dealer. The battery is sealed and is NOT user serviceable. Do not attempt to repair, remove, Adjust or in any way alter any internal or electrical components, controls or wiring without first speaking with a customer service representative.

The main battery weighs approximately 32 kgs. There is no need to remove it from the vehicle unless you are replacing it. If you want replacing the battery, please contact your local dealer. The vehicle is equipped with a 60V battery charger that will interrupt the charging process once the battery has received a sufficient charge. Hereby strongly suggests that the charger not be used in excess of 18 hours to prevent any unnecessary wear on the battery or charger itself. Charging for periods greater than 18 hours may reduce the overall life expectancy and Efficiency of these items.



!CAUTION DO NOT DROP THE BATTERY

!CAUTION TO AVOID DAMAGE TO THE BATTERY WHEN CHARGING, USE ONLY THE CHARGER PROVIDED WITH YOUR MOTORINOTM .

BATTERY AND CHARGER INSTRUCTIONS

!WARNING DO NOT CHARGE OR STORE THE MOTORINOTM CLOSER THAN 20 FEET FROM ANY FLAME (E.G. FURNACE, FIREPLACE, WATER HEATER, SPACE HEATER)

!WARNING DO NOT KEEP THE CONNECTED TO THE CHARGER FOR LONGER THAN 18 HOURS UNDER ANY CIRCUMSTANCES! DOING SO COULD CAUSE THE BATTERY OR CHARGER TO OVERHEAT AND CAUSE A FIRE.

!WARNING DO NOT COVER THE THE CHARGER WHILE CHARING.DOING SO COULD CAUSE THE CHARGER TO OVERHEAT AND CAUSE A FIRE.

!WARNING DO NOT CHARGING UNDER THE RAIN DOING SO COULD CAUSE THE CHARGER SHORT CIRUIT.

!WARNING DO NOT CHARGING WHILE THE TEMPERATURE LOW THAN 5°C DOING SO COULD CAUSE REDUCE THE EFFICIENCY OF THE BATTERY.

!WARNING DO NOT CARRY THE CHARGER IN THE VEHICLE UNLESS CUSHIONED UNDER THE CHARGER.

!WARNING NEVER LEAVE THE 220V BATTERY CHARGER CONNECTED TO THE POWER SOURCE IN AMERICAN AREA.

!WARNING KEEPING THE CHARGER PLUGGED INTO THE 110V/220V POWER SOURCE AND NOT THE BATTERY DOING SO COULD CAUSE THE BATTERY TO OVERHEAT AND OR CAUSE A FIRE.

!WARNING FAILURE TO KEEP THE E-SCOOTER BATTERY CHARGED WILL CAUSE TOTAL BATTERY FAILURE. DO NOT ALLOW BATTERY TO BECOME FULLY DISCHARGED!!! ALWAYS RECHARGE THE BATTERY BEFORE THE POWER INDICATOR ON THE INSTRUMENT PANEL SHOWS NO POWER. ALLOWING THE BATTERY TO FULLY DISCHARGE WILL REDUCE BATTERY LIFE AND MAY RUIN THE BATTERY OR COULD CAUSE THE BATTERY OR CHARGER TO OVERHEAT AND CAUSE A FIRE THE NEXT TIME THE E-SCOOTER IS CHARGED.

!WARNING BATTERY POSTS, TERMINALS, POWER CORDS AND BRAKE CABLES MAY CONTAIN LEAD AND LEAD COMPOUNDS, AND OTHER CHEMICALS. WASH HANDS AFTER HANDLING.

!WARNING IF YOU HAVE ANY DOUBT ABOUT THE CONDITION OF THE SCOOTER OR ANY OF ITS PARTS, DONT USE IT . CALL YOUR E-SCOOTER DEALER.

1. Be sure to only use 110V AC charger for NA and 220V AC charger for Europe.
2. If you want charging the vehicle, FIRST plug the charger output cable into the vehicle charging socket(Part No.17),NEXT plug the charger input cable which is AC cable into the AC outlet.

While you want end the charging First disconnect the AC side,Next you can disconnect the vehicle side.

3. The CHARGER INDICATOR LIGHT will illuminate confirming that power is connected to the charger. If the light does not come on check all connections. If it still does not come on after checking all connections, fuses and that your AC plug is working, unplug the charger and call your local dealer.

4. When the light on the charger is red, the E-SCOOTER battery is being properly charged. When the vehicle battery is fully charged, the light will turn green. If this does not occur after 16 hours of charging, unplug the charger and call your local dealer. Normal recharge time for the main battery is 4- 6 hours (assuming it is not 100% discharged).

5. When storing your E-SCOOTER for lengthy periods of time, the battery should be charged at least once a month to avoid full depletion.

BATTERY RECYCLING

When maintained and used properly, (by following charging and storage guidelines), the Lead Acid Battery Pack used in this product has a normal lifespan of two to three years. When the battery pack no longer holds a charge or is unable to be charged properly, it should be removed from the vehicle and delivered to a recycling facility. Federal Laws prohibit disposal of lead-acid batteries in everyday trash. Please contact your local solid waste or recycling authority for recycling information in your area.

GENERAL USAGE NOTES

It is a good idea to keep a **TOOL KIT** and **FIRST AID PACKET** with you when you ride.

If your E-SCOOTER sustains an impact:

!WARNING A CRASH OR OTHER IMPACT CAN PUT EXTRAORDINARY STRESS ON COMPONENTS, CAUSING THEM TO FATIGUE PREMATURELY. COMPONENTS SUFFERING FROM STRESS FATIGUE CAN FAIL SUDDENLY AND CATASTROPHICALLY, CAUSING LOSS OF CONTROL, SERIOUS INJURY OR DEATH.

First, check yourself for injuries, and take care of them as best you can.

Seek medical help if necessary. Next, if your E-SCOOTER is damaged, perform the checks described in this manual. If you are unable to fix any or all damage/problems, or if you find any bent, scored, or discolored parts, please call your local SCOOTER dealer.

Break-in Period: Your E-SCOOTER will last longer and work better when it is broken in properly. Brake control cables, axle nuts may get loose when a new E-SCOOTER is first used and may require an adjustment. We suggest that the brakes and axle nuts be checked every 30 days and adjusted if necessary.

MAINTENANCE

Technological breakthroughs have made components more complex than ever before, and the pace of innovation is increasing. This on-going revolution makes it impossible for this manual to provide all the information required to properly repair and/or maintain your E-SCOOTER. In order to help minimize the chances of an accident and possible injury, it is critical that you have all repair and maintenance work performed regularly.

For more detailed maintenance instructions or for ordering replacement parts please contact your E-SCOOTER dealer. Local bicycle retail stores, which have service facilities in your area, can also assist you with certain non-electrical repairs or adjustments that you are not qualified to make or for which you do not have the specific or specialized tools needed for repair.

The fact that these vehicle have no combustion engine, no clutch, no ignition plugs, no carburetor, and uses no gasoline means it requires basically no maintenance.

In generally all the regular mechanic maintenance is to:

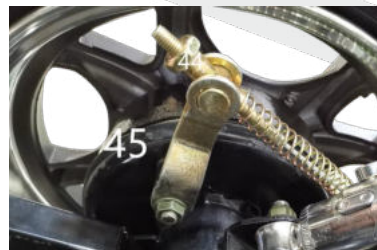
- Adjust the brakes
- Check the nuts and bolts
- Check tire pressure

BRAKES MAINTENANCE

Front and rear brake pads must get some abrasion. For drum brake system tighten the nuts at the end of the cable to adjust them. If the breaking power decrease, also can check the break pads. If necessary clean them with sand paper. If the break pads are worn out, replace them. If the brake cable is stretched to the point that there is no more threads left at the end, unscrew the lever and turned it away from the cable.

For disk brake system no need the adjust this cable.

Rear drum brake



Front drum brake



Troubleshooting

Problem	Condition	Check	Solution
When I turn my Vehicle on nothing happens.	1. No any light Indications on the display.	1. Check the main breaker under the seat if it is on "ON" position. 2. Check power Connection and battery level.	1. Flip the breaker lever on "ON" 2. Fasten connections.
	2. Power indication light is on	3. Check battery and motor connection	3. Clean and fasten battery terminal connectors. 4. Fasten the motor connections With the controller under seat
	3. Power indication light is on and the break light is "on".	4. Check the break levers if they return to normal position.	5. Loosen the break. If there is any corrosion replace. Contact the supplier.
		5. Battery voltage is too low.	6. Charge or replace battery. Contact the supplier.
The Throttle does not work or switch on, the vehicle moves without acceleration.	1. The Throttle does not return to stop position.	1. Check the grip for damage 2. Check the Throttle spring. 3. The Throttle handle if it is loose	1. Use a flat head screwdriver to adjust the gap between the rubber handle and the cover. 2. Readjust the Throttle spring position. Contact the supplier 3. Check Throttle connections. Contact the supplier.
The range is low	Charger light is off	1. Bad connection between the charger and the battery. 2. Charger doesn't charge	1. Check the charger plug position. 2. Replace the charger
	Battery doesn't hold the charge	1. Connections between the batteries are not good 2. Bad battery cell	1. Check all connections between the batteries 2. Replace the bad battery cell
The breaks are not working properly	1. Break levers go too deep 2. No breaking power	1. Needs adjustment 2. Break pads are dirty or need replacement	1. Adjust the break cable – see instructions 2. Clean break pads using sand paper or replace

WARRANTY INFO

WARRANTY

Manufacture warrants to the original retail purchaser ("you") that the E-SCOOTER for which this warranty has been issued is free from defects in material and workmanship as follows:

**12 months warranty – Frame,
Electric Motor,
Controller and electric circuits
Battery and charger**

This warranty is not transferable to a subsequent purchaser. The manufacture's sole obligation under this warranty is to repair or replace the product at manufacture's option. Manufacture must be notified in writing of any claim under this warranty within 15 days of any claimed lack of conformity of the product. Immediate report to E-SCOOTER dealer is required if abnormal behavior of the product is noticed.

WARRANTY LIMITATIONS:

The duration of any implied warranty or condition, of merchantability for a particular purpose, or otherwise, on this product shall be limited to the duration of the express warranty set forth above. In no event shall E-SCOOTER dealers be liable for any loss, inconvenience or damage, whether direct, incidental, consequential or otherwise, resulting from breach of any express or implied warranty or condition, of merchantability for a particular purpose, or otherwise with respect to this product, except as set forth herein. Some provinces or countries do not allow limitation on how long an implied warranty lasts and some do not allow exclusions or limitations of incidental or consequential damages, so the above limitations or exclusions may not apply to you.

This warranty gives you specific legal rights, and you may also have other rights, which may vary, from location to location. This warranty will be interpreted pursuant to the laws of EUROPE or NA. This warranty is not intended to confer any additional legal, jurisdictional or warranty rights to you other than those set forth herein or required by law. If any portion of this warranty is held to be invalid or unenforceable for any reason, such finding will not invalidate any other provision. For products purchased in countries please contact a E-SCOOTER authorized distributor in that respective country.

WARRANTY SERVICE OPTIONS:

To obtain service under this warranty you must Call E-SCOOTER dealer for Customer Service/Technical Support on your Product BEFORE returning your Product back to the place of purchase. If you return your Product for warranty service you must obtain a return authorization number by contacting dealer. Send your product (with the return authorization number on the outside of the shipping container and affixed to the product), together with the retail seller's original receipt or other satisfactory proof of the date of purchase to the dealer you have purchased it from

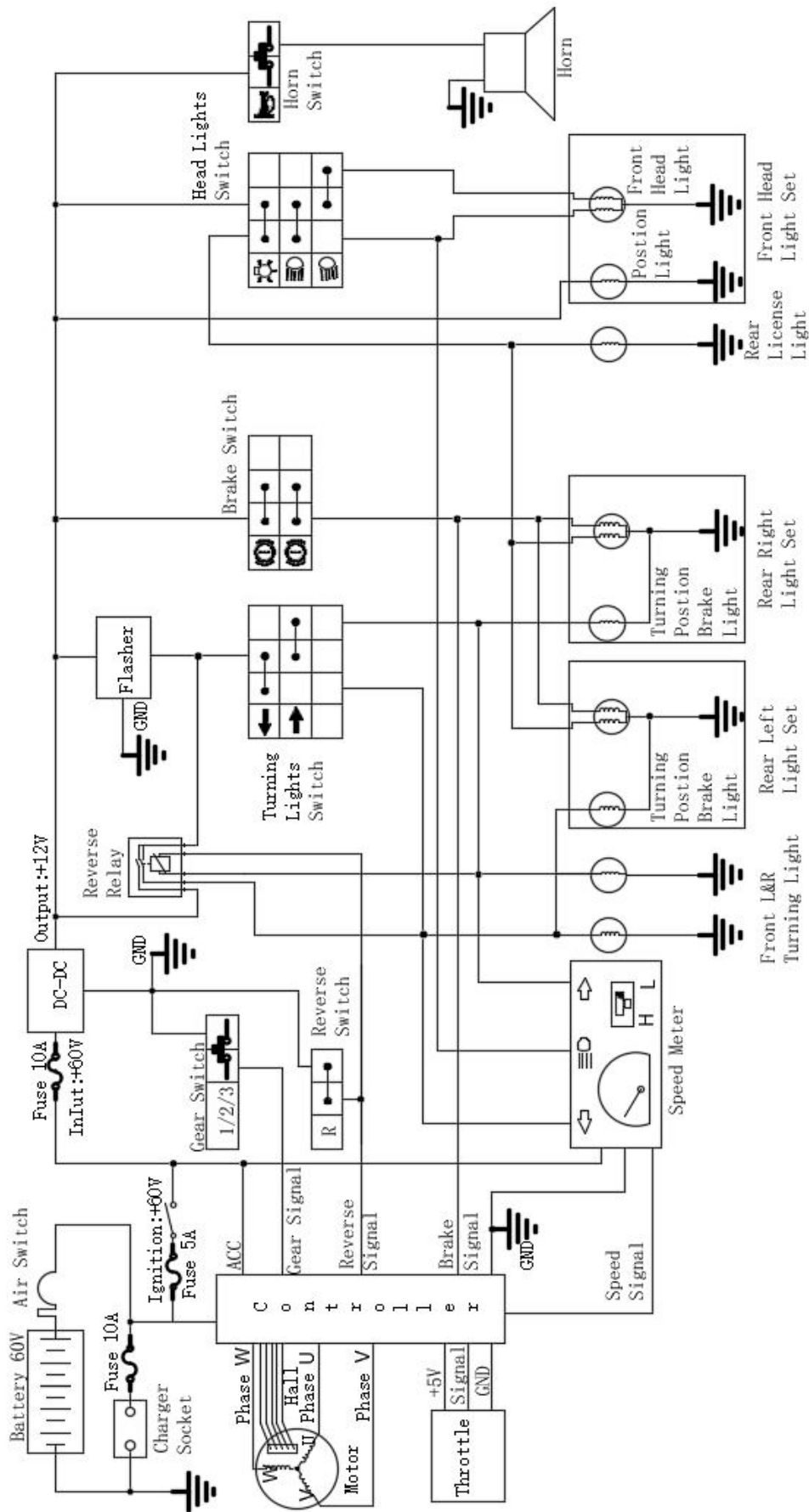
THE PRODUCT MUST BE RETURNED IN ITS ORIGINAL BOX, ALONG WITH ALL KEYS, CHARGER, MIRRORS & LOCKS, FLOOR MATS, AND ANY OTHER ACCESSORIES THAT CAME WITH YOUR UNIT. DUE TO TRANSPORTATION AND RECLAMATION ISSUES, IF THE PRODUCT IS NOT IN THE ORIGINAL PACKAGE IT MAY NOT BE RETURNED UNDER ANY CIRCUMSTANCES.

Any postage, insurance or other shipping costs incurred in sending your product for service under either option above is your responsibility. Manufacture will not be responsible for products lost or damaged in shipping.

Warranty Exclusions are listed below:

- Retailers and sellers are not authorized to modify this warranty in any way. It is your responsibility to regularly examine the product to determine the need for normal service or replacement. This warranty does not cover the following
- Products that have been modified, neglected or poorly maintained, used for commercial purposes, misused or abused or involved in accidents.
- Damage occurring during shipment of the products (such claims must be presented Directly to the shipper).
- Damage to products resulting from improper assembly or repair, the use or installation of parts or accessories not compatible with the original intended use of the product, or the failure to follow the product warnings and usage instructions.
- Damage or deterioration to the surface finish, aesthetics or appearance of the product.
- The labor required to remove and/or re-fit and re-adjust the item covered by this warranty.
- Normal wear to the product.
- Light bulbs and tubes
- Any products for which the consumer does not follow the warranty procedures outlined above.

ELECTRICAL SCHEMATIC DIAGRAM



RACC@WAY®

e - motorcycles

Scan the QR code for other languages versions:



Version: 2023/02-17

Technical support and service:

e-mail:

pavel.kozeluh@rulyt.cz

reklamace@rulyt.cz

More informations on:

www.motoe.eu

RACC@WAY®

e - motorcycles

(CZ) UŽIVATELSKÝ NÁVOD



- VIA



RACC@WAY®

Před zprovozněním skútru si prosím pozorně přečtete tento návod.
Doporučujeme, aby provozovatel tohoto skútru byl starší 16 let.

Chcete-li získat nejnovější verzi této uživatelské příručky a všechny aktualizované informace o produktu, kontaktujte místního prodejce.

Úvod

Vážení zákazníci,
děkujeme, že jste si zakoupili vozík VIA. Věříme, že Vám bude dobře sloužit a přinese Vám mnoho radosti.

Před prvním použitím si prosím pozorně přečtete celý návod k použití a pečlivě jej uschovejte.

► Prosím vyplňte následující údaje:

VIN: _____

Model: _____

Barva: _____

Datum nákupu: _____

Prodejce: _____

VŠEOBECNÉ INFORMACE

Tato příručka obsahuje ▲ **VAROVNÉ** poznámky týkající se důsledků selhání údržby nebo kontroly vašeho vozíku. ▲ **VAROVÁNÍ** znamená, že nedodržení daných pokynů může mít za následek zranění jezdce nebo jiných osob během používání, což může zahrnovat ztrátu kontroly a pád. ▲ **POZOR** na druhou stranu znamená, že nedodržení pokynů může mít za následek poškození vozíku nebo jeho součásti během instalace nebo používání.

VŠEOBECNÉ BEZPEČNOSTNÍ POKYNY A OMEZENÍ

1. Neproplétejte se provozem a neprovádějte žádné pohyby, které by mohly překvapit lidi, se kterými sdílíte cestu.
2. Nikdy nenoste nic, co by bránilo vašemu výhledu nebo úplné kontrole nad řízením vozíku nebo co by se mohlo zamotat do pohyblivých částí vozíku.
3. Nikdy se nenechávejte táhnout jiným vozidlem.
4. Za jízdy nepoužívejte sluchátka nebo mobilní telefon (Maskují dopravní zvuky a sirény zásahových vozidel, odvádějí vaši pozornost od soustředění se na to, co se děje kolem vás, a jejich dráty se mohou zamotávat do pohyblivých částí vozíku, což způsobí, že ztratíte kontrolu).
5. Nepřevázejte více než 15 kg nákladu v nákladovém prostoru (kromě jezdce).
6. Nejezděte rychlostí vyšší než 25 km/h.
7. Nepoužívejte vozidlo naboso nebo v sandálech, s otevřenou špičkou, na vysokém podpatku, na platformě.
8. Vozík nesmí řídit osoba, která požila alkohol nebo drogu, která by mohla narušit její schopnost ovládat vozík.
9. Při jízdě mějte obě ruce na řídicích.
10. Při jízdě se posaďte na sedadlo.
11. Nejezděte přes rampy, obrubníky nebo předměty a nepokoušejte se o žádné kaskadérské kousky.
12. Nepřekračujte své schopnosti nebo předchozí zkušenosti.
13. Nezastavujte pouze přední brzdou. Použijte obě brzdy současně.
14. Nesnažte se zrychlovat a mít současně zataženou brzdu.
(To může způsobit poškození motoru nebo hnacího ústrojí nebo přehřátí motoru nebo hnacího ústrojí).

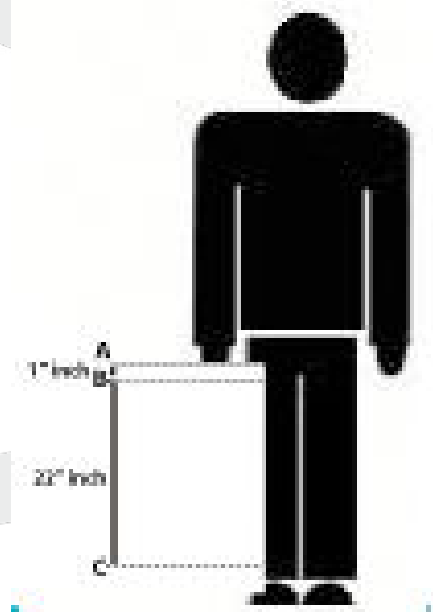
!VAROVÁNÍ

PŘI JÍZDĚ NA VOZÍKU DOPORUČUJEME POUŽÍVAT PŘILBU, jakou používají cyklisté.

!VAROVÁNÍ

KROMĚ VÝŠE UVEDENÝCH POŽADAVKŮ SE VOZÍK NESMÍ POUŽÍVAT:

1. na jakémkoli hrbolatém, drsném nebo nezpevněném povrchu
2. ve tmě bez rozsvícených světel
3. na písčitéch nebo šterkových površích
4. osobou vážící více než 150 kg
5. jakoukoli osobou s vnitřním švem menším než 22"



PŘED KAŽDOU JÍZDOU:

!VAROVÁNÍ

!POZOR

1. Ujistěte se, že správně nosíte přilbu.
2. Používejte ochranný oděv a rukavice.
3. Používejte ochranu očí, která neruší vaše periferní vidění.
4. Před provozováním vozíku v jakékoli oblasti si ověřte místní a státní zákony.
5. Ujistěte se, že všechna koncová/brzdová světla, směrová světla a světlomet jsou funkční.
6. Ujistěte se, že je klakson funkční.
7. Ujistěte se, že jsou brzdy správně seřizeny a fungují správně.

8. Ujistěte se, že rozumíte tomu, jak fungují brzdy, a že vaše ruce mohou dosáhnout a stisknout páčky pohodlně a dostatečně silně, abyste vozík bezpečně zastavili.
9. Ujistěte se, že všechny části vozíku jsou správně a bezpečně připevněny a seřízeny, včetně, ale ne výhradně, kol, všech ovládacích prvků a nákladu (viz Návod k montáži).
10. Ujistěte se, že pneumatiky nejsou nadměrně opotřebené, nemají trhliny nebo zářezy a jsou správně usazeny na ráfku a nahuštěny na správný tlak.
11. Ujistěte se, že se kola točí rovně a že ráfky nejsou ohnuté nebo poškozené (přední kolo musí být nepoškozené, aby přední brzda správně fungovala).
12. Před zapnutím klíče vozíku se ujistěte, že je plyn v poloze „OFF“. To zabrání tomu, aby se vozík po otočení klíčku zapalování bez předchozího upozornění rozjel.
13. Před zapnutím klíčku se ujistěte, že je „Spínač vzduchu“ pod sedadlem v poloze „Zapnuto“.

PO KAŽDÉ JÍZDĚ:

!VAROVÁNÍ

!POZOR

1. Ujistěte se, že je klíček zapalování vypnutý a že všechny klíče jsou vyjmuty a uloženy na bezpečném místě.
2. Ujistěte se, že je baterie připojena k nabití.
3. Ujistěte se, že je plynová rukojeť otočena do vypnuté polohy.
4. Ujistěte se, že vozík není umístěn venku nebo tam, kde by jej vlhkost mohla poškodit.
5. Nenabíjejte ani neskladujte vozík blíže než 20 stop od jakéhokoli plamene (např. pece, krbu, ohřívače vody, ohřívače).
6. Nedovolte dětem mladším 16 let, aby si hrály na nebo v blízkosti vozíku bez dozoru.

!VAROVÁNÍ

- NEDODRŽENÍ TĚCHTO PROVOZNÍCH POKYŇŮ MŮŽE ZPŮSOBIT VÁŽNÉ ZRANĚNÍ NEBO SMRT NEBO MŮŽE ZPŮSOBIT ELEKTRICKÝ ZKRAT A NEBO POŽÁR.
- NEPROVÁDĚJTE ŽÁDNÉ ÚPRAVY ČI MODIFIKACE NA VOZÍKU ANI NEPŘIDÁVEJTE ŽÁDNÉ DÍLY, KTERÉ NEPOVOLÍ VÝROBCE, S VÝJIMKOU TĚCH, KTERÉ JSOU UVEDENY V TOMTO NÁVODU NEBO TĚCH, KTERÉ VYŽADUJE ZÁKON.
- NEODSTRAŇUJTE ŽÁDNÉ REFLEKTORY, SVĚTLA ANI JINÉ STANDARDNÍ VYBAVENÍ.

Všechny autorizované náhradní díly jsou uvedeny v příloženém seznamu dílů nebo zavolejte svému místnímu prodejci.

Hlavní součásti vozíku



Hlavní součásti vozíku



Seznam částí					
1	Přední světlo	17	Zásuvka pro nabíječku	33	Přední tlumič
2	Zpětné zrcátko	18	Rychloměr/tachometr	34	
3	Páčka zadní brzdy	19	Spínač dálkového světla	35	
4	Páčka přední brzdy	20	Spínač blinkrů	36	
5	Plynová rukojeť	21	Spínač klaksonu	37	
6	Přední blinkr	22	Rukojeť	38	Zadní tlumič
7	Přední kolo	23	Spínač předního světla	39	Motor
8	Sedadlo	24	Spínač zpátečního směru	40	Diferenciál
9	Zadní košík (není součástí)	25	Plynová rukojeť	41	Řídící jednotka
10	Zadní světlo	26	Spínač převodových stupňů	42	Měnič napětí
11	Zámek sedadla	27	Zámek zapalování	43	Bateriový box
12	Světlo pro značku	28	Přední odkládací prostor	44	Lanko pro dotažení brzdy
13	Kolečka proti převážení	29		45	Zadní bubnová brzda
14	Zadní kolo	30	Parkovací brzda		
15	Polohovací páka (posuv sedadla)	31	Jistič		
16	Opěradlo	32	Přední bubnová brzda		



Rychloměr / tachometr					
1	Levý blinkr	6	Úroveň baterie	11	Závada brzd
2	Pravý blinkr	7	Ujeté kilometry		
3	Rychlostní stupeň	8	Závada motoru		
4	Rychlost	9	Závada plynu		
5	Dálkové světlo	10	Závada ovladače		

1. Závada motoru: Snímač motoru / vnitřní cívka motoru / kabel motoru přerušný
2. Závada plynu: Kabel plynu/Snímač plynu/Konektor je přerušný. Může také znamenat, že se plyn nevrátí do polohy stop.
3. Závada ovladače: MOSFET nebo jiné části uvnitř ovladače jsou poškozené.
4. Závada brzdy: Přerušný brzdový spínač/lanko/konektor

Pokud se na rychloměru zobrazí některé z těchto chybových ukazatelů, znamená to, že je s vozidlem něco v nepořádku, a musíte vozidlo zkontrolovat nebo zavolat místnímu prodejci.

Ukazatel závady brzd se zobrazí také v případě, když zmáčknete ruční brzdu.

KLÍČ A ZAPALOVÁNÍ



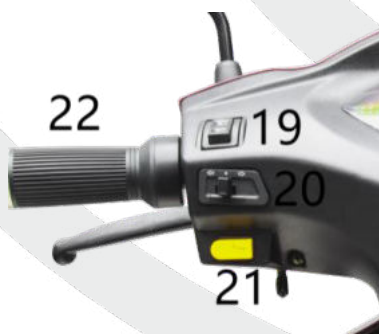
ON/OFF/LOCK spínač: (zapalování)

1. VOZÍK JE ZAPNUTÝ. Zapněte jej pouze tehdy, když jste připraveni vyrazit. Když nejedete, vypněte jej a vyjměte klíč.
2. VOZÍK JE VYPNUTÝ. Pokud jej nepoužíváte, vypněte jej, abyste šetřili baterii. Klíč lze vyjmout.
3. Stiskněte klíč a otočte z polohy „2“ do polohy „4“, abyste zablokovali řídítka.
4. Řídítka jsou zablokována. Klíč lze také vyjmout.

!POZOR PŘED POUŽÍVÁNÍM VAŠEHO VOZÍKU SE UJISTĚTE, ŽE RUKOJEŤ PLYNU NENÍ OTOČENÁ DO POLOHY "ZAPNUTO"! PŘED POUŽITÍM SE TAKÉ UJISTĚTE, ŽE RUKOJEŤ NENÍ "PŘILEPENÁ" A MŮŽE SE VOLNĚ OTOČIT ZPĚT DO VÝCHOZÍ POLOHY.

OVLÁDACÍ SPÍNAČE

Vozík využívá rukojeť plynu, která mění rychlost jízdy. Je na pravé straně řídítek. Otočením rukojeti plynu směrem k sedadlu zrychlíte a otočením dopředu od sedadla zpomalíte.



Ovládací spínače a rukojeť plynu



Po zrychlení se doporučuje vrátit o 1/4 otáčky plyn. Zvýšíte tak dojezd a prodloužíte výdrž baterie.

OVLÁDÁNÍ PLYNOVÉ RUKOJETI

1. Otočte klíček do polohy „ON“ a poté postupně otáčejte plynem, abyste zrychlili.
2. Abyste zabránili ztrátě kontroly nad vozidlem, otáčejte plynem pomalu, dokud se rychlost nezvýší.
3. Neotáčejte plyn, dokud nejste připraveni na jízdu.
4. Chcete-li zastavit, uvolněte plyn a současně použijte přední a zadní brzdu. Můžete zpomalit lehkým sešlápnutím brzd pro spuštění režimu regenerace.
5. Chcete-li se rozjet uvolněte brzdy a postupně otáčejte plynem.
6. Při otáčení přesuňte přepínač směrových světel doleva nebo doprava a nezapomeňte jej po odbočení vypnout.
7. Bezkartáčový motor vydává slabý elektromagnetický hluk při otáčení plynem. To je normální.
8. Pro vaši bezpečnost prosím vyjměte klíč, když nejedete.



Zpáteční směr

1. Tlačítko zpátečky se nachází vedle plynu
2. Když se motor zastaví, můžete stisknout tlačítko řazení na zpátečku a po dalším stisknutí se vozidlo opět rozjede vpřed.
3. Pokud je zařazen zpětný chod, všechna směrová světla budou fungovat, také klakson může vydávat zvuk.
4. U některých modelů rychloměru se zobrazí „R“, když je zařazen zpáteční směr.
5. Pro bezpečnou jízdu při zařazeném zpátečním směru bude rychlost omezena.



Vzdálenost a rychlost závisí na různých prvcích stylu jezdce a stavu vozovky. Konstantní rychlost a méně zastávek zajistí delší dojezd. Mezi další faktory patří počasí, stav vozidla a nabití baterie. Řidiči musí být opatrní při jízdě po nerovných silnicích, za špatného počasí nebo při nízkém nabití baterie. Při jízdě vždy kontrolujte ukazatel baterie a ujistěte se, že se příliš často příliš nevybíjí.

PŘEVODOVÉ STUPNĚ A TOČIVÝ MOMENT

Vozík má 3 převodové stupně.

1. Převodový stupeň 1: Menší rychlost a menší točivý moment (úsporný režim)
2. Převodový stupeň 2: Vyšší rychlost a vyšší točivý moment (komfortní režim)
3. Převodový stupeň 3: MAX rychlost a MAX točivý moment (stoupací režim).

Přepínač převodových stupňů je umístěn vedle plynové rukojeti.

1. Pokud jedete po rovné silnici, můžete použít Stupeň 1 k dosažení maximálního dosahu.
2. Když jedete do mírných kopců nebo chcete jet rychleji, můžete použít Stupeň 2.
3. Když jedete do prudkého kopce, měli byste přepnout na vysoký točivý moment pro maximální výkon (převodový stupeň 3).

Při nastartování vozíku je automaticky nastaven stupeň 1.

Převodový stupeň se také zobrazí na displeji.



OVLÁDÁNÍ SVĚTEL A KLAKSONU

- č.23 - spínač předního světla
- č.19 - spínač dálkového světla
- č.20 - spínač blinkrů
- č.21 - spínač klaksonu
- č.26 - spínač převodových stupňů
- č.24 - spínač zpátečního směru



BRZDNÝ SYSTÉM

Vozík má 2 druhy brzd:

1. Normální mechanická brzda
2. Parkovací brzda

Použijte pravou a levou brzdovou páčku k ovládní přední a zadní mechanické brzd.

Parkovací brzda zablokuje zadní levé a pravé boční kolo.

Nejprve zmáčkněte páčku zadní brzd a zatlačte na vodící sloupek (díl č. 30) a poté páčku uvolněte.

Funkce parkování je účinná při sklonu pod 13°.

Utáhněte matici lanka zadní brzd (díl č. 44), pokud parkovací brzda nemůže udržet vozík.



SEŘÍZENÍ SEDADLA

Sedačka se může polohovat směrem dopředu a dozadu.

Zatažením za polohovací páku (díl č. 15) uvolníte zámek sedadla.

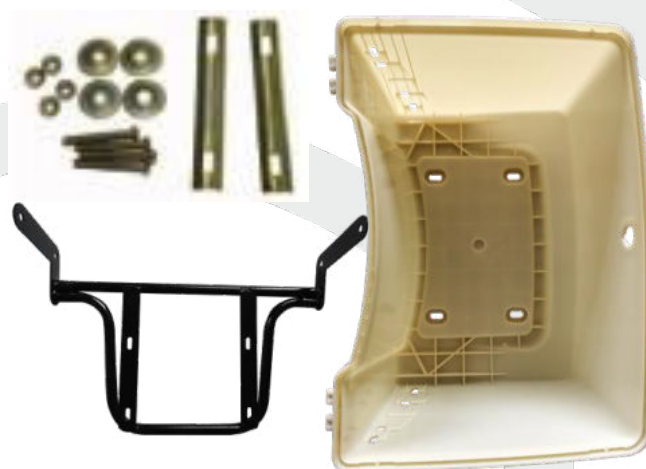
PROSÍM, NENASTAVUJTE SEDADLO DO ZADNÍ POLOHY V KOPCOVITÉ OBLASTI NEBO PŘI STOUPÁNÍ.



MONTÁŽ

ODKLÁDACÍ BOX

Umístěte odkládací box do prostoru za sedadlem a připevněte ho pomocí 4 ks šroubů M6.



ZPĚTNÁ ZRCÁTKA

Umístěte zpětná zrcátka a připevněte je pomocí otevřeného klíče č.14.

Poté můžete upravit úhel zrcátek.



POKYNY K JÍZDNÍMU SYSTÉMU

Jízdní systém se skládá ze 4 hlavních částí:

- baterie
- řídicí jednotka
- plynová rukojeť
- motor

Když je plynová rukojeť otočená, do řídicí jednotky jde signál, který odpovídá úhlu natočení. Poté řídicí jednotka čerpá proud z baterie příslušný k požadované rychlosti ovládané plynem a výkonu potřebného k rozjezdu vozíku nebo k jízdě do kopce.

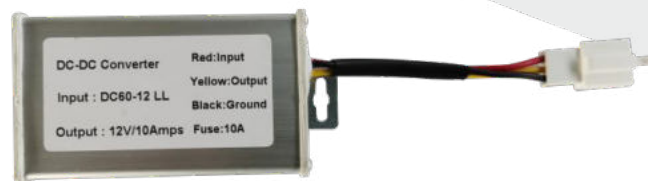
Čím vyšší je rychlost jízdy a čím strmější je kopec, tím nižší je dojezd vozíku.

Hlavní jistič pod sedadlem funguje jako vysokoproudový chránič.

Převodník 60V DC na 12V DC převádí napětí na 12V. Všechny žárovky fungují na 12V.

Když je vozík delší dobu uložen, hlavní jistič je třeba vypnout.

Úplné otočení plynu a jízda na vozíku na plný plyn také sníží dojezd a životnost baterie. Doporučujeme vám začít plynule a otočit plyn o 1/4 otáčky dolů, jakmile získáte hybnost.



POKYNY PRO BATERII A NABÍJEČKU

PŘED PRVNÍM POUŽITÍM VAŠEHO NOVÉHO ZAŘÍZENÍ NABÍJEJTE BATERII 8-12 HODIN, ZA ŽÁDNÝCH OKOLNOSTÍ VŠAK DÉLE NEŽ 18 HODIN.

Po každém použití vozík nabijte. Udržování správně nabité baterie pomůže prodloužit její životnost. Vozidlo nepoužívejte, pokud indikátor napájení na přístrojové desce ukazuje nízkou energii. Pokud je vozidlo přetíženo, životnost baterie se sníží. Vozidlo používá 60 (voltovou) baterii. Chcete-li nabít baterii, připojte 3kolíkovou zástrčku do nabíjecí zásuvky umístěné přímo pod předním sedadlem. Pokud si všimnete čehokoli neobvyklého na baterii, jako je prasklé nebo vytékající pouzdro baterie, baterie, která se při používání nebo nabíjení zahřívá, pouzdro baterie, které vypadá „nafouklé“ atd., nebo se vyskytly jiné problémy s baterií, obraťte se na místního prodejce. Baterie je zapečetěná a uživatel ji nemůže opravovat. Nepokoušejte se opravovat, odstraňovat, seřizovat nebo jakýmkoliv způsobem upravovat jakékoli vnitřní nebo elektrické součásti, ovládací prvky nebo kabeláž, aniž byste se nejprve poradili se zástupcem zákaznického servisu.

Hlavní baterie váží přibližně 32 kg. Není třeba ji vyjmát z vozidla, pokud ji nevyměňujete. Pokud chcete baterii vyměnit, kontaktujte svého místního prodejce. Vozidlo je vybaveno 60V nabíječkou baterií, která přeruší proces nabíjení, jakmile je baterie dostatečně nabitá. Tímto důrazně doporučujeme, aby se nabíječka nepoužívala déle než 18 hodin, aby se zabránilo zbytečnému opotřebení baterie nebo nabíječky samotné. Nabíjení po dobu delší než 18 hodin může snížit celkovou životnost a účinnost těchto položek.



!POZOR CHRAŇTE BATERII PŘED PÁDY A NÁRAZY.

!POZOR ABY SE BĚHEM NABÍJENÍ NEPOŠKODILA BATERIE, POUŽÍVEJTE POUZE NABÍJEČKU DODANOU S VAŠÍM VOZÍKEM .

POKYNY PRO BATERII A NABÍJEČKU

!VAROVÁNÍ

- NENABÍJEJTE ANI NESKLADUJTE VOZÍK/BATERII BLÍŽE NEŽ 20 STOP OD JAKÉHOKOLIV PLAMENE/ ZDROJE TEPLA (NAPŘ. PECE, KRBU, OHŘÍVAČE VODY, OHŘÍVAČE PROSTORU).

- NENECHÁVEJTE ZAŘÍZENÍ PŘIPOJENÉ K NABÍJEČCE ZA ŽÁDNÝCH OKOLNOSTÍ DÉLE NEŽ 18 HODIN! TO BY MOHLO ZPŮSOBIT PŘEHŘÁTÍ BATERIE NEBO NABÍJEČKY A ZPŮSOBIT POŽÁR.

- BĚHEM NABÍJENÍ NEZAKRÝVEJTE NABÍJEČKU. MOHLO BY TAK DOJÍT K PŘEHŘÁTÍ NABÍJEČKY A ZPŮSOBENÍ POŽÁRU.

- NENABÍJEJTE ZA DEŠTĚ, MOHLO BY TAK DOJÍT KE ZKRATU NABÍJEČKY.

- NENABÍJEJTE, KDYŽ JE TEPLOTA NIŽŠÍ NEŽ 5 °C, MŮŽE TO ZPŮSOBIT SNÍŽENÍ KAPACITY BATERIE.

- PONECHÁNÍ NABÍJEČKY ZAPOJENÉ VE ZDROJI 110V/220V A NIKOLIV BATERIE BY MOHLO ZPŮSOBIT PŘEHŘÁTÍ BATERIE A NEBO ZPŮSOBIT POŽÁR.

- NEUDRŽOVÁNÍ BATERIE VOZÍKU V NABITÉM STAVU BUDE PŘÍČINOU CELKOVÉHO SELHÁNÍ BATERIE. NENECHTE BATERII PLNĚ VYBIT!!! VŽDY DOBÍJEJTE BATERII DŘÍVE, NEŽ KONTROLKA NAPÁJENÍ NA PŘÍSTROJOVÉ DESCE UKÁŽE „NAPÁJENÍ“. ÚPLNÝM VYBITÍM BATERIE SNÍŽÍTE JEJÍ ŽIVOTNOST A MŮŽE TO BATERII ZCELA ZNIČIT NEBO TO MŮŽE ZPŮSOBIT PŘEHŘÁTÍ BATERIE NEBO NABÍJEČKY A PŘI PŘÍŠTÍM NABÍJENÍ VOZÍKU ZPŮSOBIT POŽÁR.

- SLOUPKY AKUMULÁTORŮ, SVORKY, NAPÁJECÍ ŠŤŮRY A BRZDOVÉ KABELY MOHOU OBSAHOVAT OLOVO, SLOUČENINY OLOVA A JINÉ CHEMICKÉ LÁTKY. PO MANIPULACI S NIMI SI UMYJTE RUCE.

- POKUD MÁTE JAKÉKOLI POCHYBNOSTI O STAVU VOZÍKU NEBO JAKÉKOLI JEJO ČÁSTI, NEPOUŽÍVEJTE HO. ZAVOLEJTE SVĚMU PRODEJCI.

1. Ujistěte se, že používáte pouze 110V AC nabíječku pro NA a 220V AC nabíječku pro Evropu.
2. Pokud chcete nabíjet vozidlo, NEJPRVE zapojte výstupní kabel nabíječky do nabíjecí zásuvky vozidla (díl č. 17), JAKO DALŠÍ zapojte vstupní kabel nabíječky, což je AC kabel, do AC zásuvky. Pokud chcete ukončit nabíjení NEJPRVE odpojte AC stranu, poté můžete odpojit stranu vozidla.
3. KONTROLKA NABÍJEČKY se rozsvítí a potvrdí, že je nabíječka připojena k napájení. Pokud se kontrolka nerozsvítí, zkontrolujte všechna připojení. Pokud se nerozsvítí ani po kontrole všech připojení, pojistek a funkčnosti síťové zástrčky, odpojte nabíječku a zavolejte místního prodejce.
4. Když kontrolka na nabíječce svítí červeně, baterie vozíku se správně nabíjí. Když je baterie vozidla plně nabitá, kontrolka se rozsvítí zeleně. Pokud k tomu nedojde po 16 hodinách nabíjení, odpojte nabíječku a zavolejte místnímu prodejci. Normální doba nabíjení hlavní baterie je 4-6 hodin (za předpokladu, že není 100% vybitá).
5. Při dlouhodobém skladování vozíku je třeba baterii nabít alespoň jednou za měsíc, aby se zabránilo úplnému vybití.

RECYKLACE BATERIE

Při správné údržbě a používání (při dodržení pokynů pro nabíjení a skladování) má olověná baterie použitá v tomto produktu běžnou životnost dva až tři roky. Pokud již baterie nevydrží nebo ji nelze správně nabít, měla by být vyjmuta z vozidla a doručena do recyklačního zařízení. Nevyhazujte olověné baterie do běžného odpadu.

ÚDRŽBA

Abyste minimalizovali pravděpodobnost nehody a možného zranění, je důležité, aby se pravidelně prováděly údržbové práce a případné opravy. Tato příručka však nemůže obsáhnout kompletní informace týkající se všech oprav a/nebo údržby vašeho vozíku. Pro podrobnější pokyny k údržbě nebo pro objednání náhradních dílů kontaktujte svého prodejce.

Skutečnost, že toto vozidlo nemá žádný spalovací motor, žádnou spojku, žádné zapalovací svíčky, žádný karburátor a nepoužívá žádný benzín, znamená, že v podstatě nevyžaduje žádnou větší údržbu.

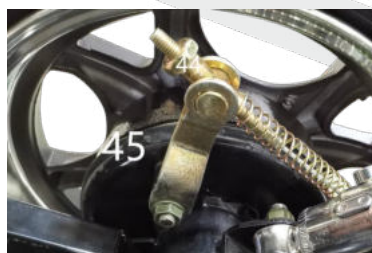
Obecně veškerá pravidelná mechanická údržba spočívá v:

- seřízení brzd
- kontrole matic a šroubů
- kontrole tlaku v pneumatikách

Údržba brzd

Přední a zadní brzdové destičky se musí trochu odřít. U bubnové brzdy utáhněte matice na konci lanka, abyste je seřídili. Pokud se vypínací síla sníží, můžete také zkontrolovat brzdové podložky. V případě potřeby je očistěte brusným papírem. Pokud jsou brzdové destičky opotřebované, vyměňte je. Pokud je brzdové lanko natažené do té míry, že na konci nezůstaly žádné závity, odšroubujte páčku a otočte ji směrem od lanka.

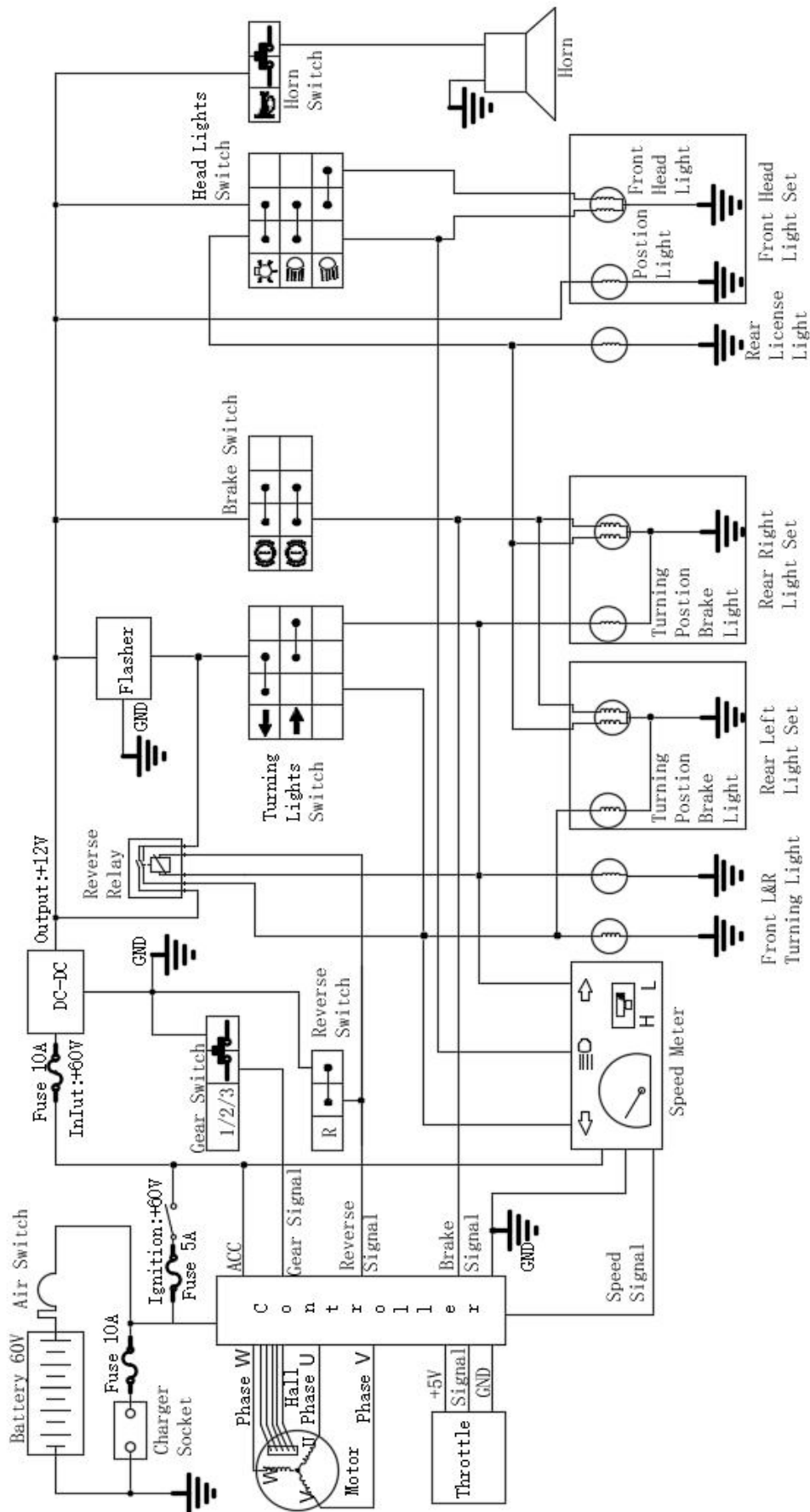
Zadní bubnová brzda



Přední bubnová brzda



ELECTRICAL SCHEMATIC DIAGRAM



RACC@WAY®

e - motorcycles

Naskenujte QR kód pro případnou aktualizovanou verzi a další jazykové verze:
Scan the QR code for updates and other languages versions:



Verze: 2023/02-17

Technická podpora a servis:

e-mail:

pavel.kozeluh@rulyt.cz

reklamace@rulyt.cz

Více informací na:

www.motoe.eu

RACC@WAY®

e - motorcycles

(SK) UŽÍVATEĽSKÝ NÁVOD



- VIA

- 2 -



RACC@WAY®

- 54 -

Pred sprevádzkovaním skútra si prosím pozorne prečítajte tento návod.

Odporúčame, aby prevádzkovateľ tohto skútra bol starší ako 16 rokov.

Ak chcete získať najnovšiu verziu tejto používateľskej príručky a všetky aktualizované informácie o produkte, kontaktujte miestneho predajcu.

Úvod

Vážení zákazníci, ďakujeme, že ste si zakúpili vozík VIA. Veríme, že vám bude dobre slúžiť a prinesie vám veľa radosti.

Pred prvým použitím si prosím pozorne prečítajte celý návod na použitie a starostlivo ho uschovajte.

► Prosím vyplňte nasledujúce údaje:

VIN: _____

Model: _____

Farba: _____

Dátum nákupu: _____

Predajca: _____

VŠEOBECNÉ INFORMÁCIE

Táto príručka obsahuje **▲VAROVNÉ** poznámky týkajúce sa dôsledkov zlyhania údržby alebo kontroly vášho vozíka. **▲VAROVANIE** znamená, že nedodržanie daných pokynov môže mať za následok zranenie jazdca alebo iných osôb počas používania, čo môže zahŕňať stratu kontroly a pád. **▲POZOR** na druhej strane znamená, že nedodržanie pokynov môže mať za následok poškodenie pozemného dopravníka alebo jeho súčasti počas inštalácie alebo používania.

VŠEOBECNÉ BEZPEČNOSTNÉ POKYNY A OBMEDZENIA

1. Neprepletajte sa prevádzkou a nevykonávajte žiadne pohyby, ktoré by mohli prekvapiť ľudí, s ktorými zdieľate cestu.
2. Nikdy nenoste nič, čo by bránilo vášmu výhl'adu alebo úplnej kontrole nad riadením vozíka alebo čo by sa mohlo zamotať do pohyblivých častí vozíka.
3. Nikdy sa nenechávajte t'ahať iným vozidlom.
4. Počas jazdy nepoužívajte slúchadlá alebo mobilný telefón (Maskujú dopravné zvuky a sirény zásahových vozidiel, odvádzajú vašu pozornosť od sústredenia sa na to, čo sa deje okolo vás, a ich drôty sa môžu zamotávať do pohyblivých častí vozíka, čo spôsobí, že stratíte kontrolu).
5. Neprevážajte viac ako 15 kg nákladu v nákladovom priestore (okrem jazdca).
6. Nejazdite rýchlosťou vyššou ako 25 km/h.
7. Nepoužívajte vozidlo naboso alebo v sandáloch, s otvorenou špičkou, na vysokom podpätku, na platforme.
8. Vozík nesmie riadiť osoba, ktorá požila alkohol alebo drogu, ktorá by mohla narušiť jej schopnosť ovládať vozík.
9. Pri jazde majte obe ruky na riadidlách.
10. Pri jazde sa posad'te na sedadlo.
11. Nejazdite cez rampy, obrubníky alebo predmety a nepokúšajte sa o žiadne kaskadérske kúsky.
12. Neprekračujte svoje schopnosti alebo predchádzajúce skúsenosti.
13. Nezastavujte iba prednou brzdou. Použite obe brzdy súčasne.
14. Nesnažte sa zrýchli'ovať a mať súčasne zatiahnutú brzdu. (To môže spôsobiť poškodenie motora alebo hnacieho ústrojenstva alebo prehriatie motora alebo hnacieho ústrojenstva).

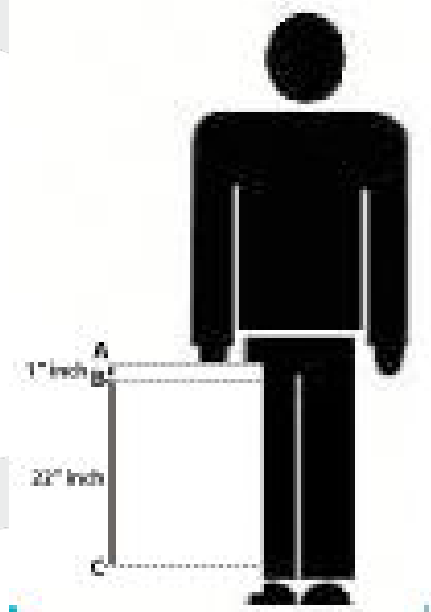
!VAROVANIE

PRI JAZDE NA VOZÍKU ODPORÚČAME POUŽÍVAŤ PRILBU, akú používajú cyklisti.

!VAROVANIE

OKREM VÝŠKY UVEDENÝCH POŽIADAVKOV SA VOZÍK NESMIE POUŽÍVAŤ:

- 1. na akomkoľvek hrbol'atom, drsnom alebo nespevnenom povrchu**
- 2. v tme bez rozsvietených svetel**
- 3. na piesočnatých alebo štrkových povrchoch**
- 4. osobou vážiacou viac ako 150 kg**
- 5. akoukoľvek osobou s vnútorným švom menším ako 22"**



PRED KAŽDOU JAZDOU:

!VAROVANIE

!POZOR

- 1. Uistite sa, že správne nosíte prilbu.**
- 2. Používajte ochranný odev a rukavice.**
- 3. Používajte ochranu očí, ktorá neruší vaše periférne videnie.**
- 4. Pred prevádzkovaním vozíka v akejkoľvek oblasti si overte miestne a štátne zákony.**
- 5. Uistite sa, že všetky koncové/brzdové svetlá, smerové svetlá a svetlomety sú funkčné.**
- 6. Uistite sa, že je klaksón funkčný. Uistite sa, že sú brzdy správne nastavené a fungujú správne.**

7. Uistite sa, že rozumiete tomu, ako fungujú brzdy, a že vaše ruky môžu dosiahnuť a stlačiť páčky pohodlne a dostatočne silne, aby ste vozík bezpečne zastavili.
8. Uistite sa, že všetky časti vozíka sú správne a bezpečne pripevnené a nastavené, vrátane, ale nie výhradne, kolies, všetkých ovládacích prvkov a nákladu (viď Návod na montáž).
9. Uistite sa, že pneumatiky nie sú nadmerne opotrebované, nemajú trhliny alebo zárezy a sú správne usadené na ráfiku a nahustené na správny tlak.
10. Uistite sa, že sa kolesá točia rovno a že ráfiky nie sú ohnuté alebo poškodené (predné koleso musí byť nepoškodené, aby predná brzda správne fungovala).
11. Pred zapnutím kľúča pozemného dopravníka sa uistite, že je plyn v polohe „OFF“. To zabráni tomu, aby sa vozík po otočení kľúča zapalovania bez predchádzajúceho upozornenia rozbehol.
12. Pred zapnutím kľúča sa uistite, že je „Spínač vzduchu“ pod sedadlom v polohe „Zapnuté“.

PO KAŽDEJ JAZDE:

!VAROVANIE

!POZOR

1. Uistite sa, že je kľúčik zapalovania vypnutý a že všetky kľúče sú vybraté a uložené na bezpečnom mieste.
2. Uistite sa, že je batéria pripojená k nabitiu.
3. Uistite sa, že je plynová rukoväť otočená do vypnutej polohy.
4. Uistite sa, že vozík nie je umiestnený vonku alebo tam, kde by ho vlhkosť mohla poškodiť.
5. Nenabíjajte ani neskladujte vozík bližšie ako 20 stôp od akéhokolvek plameňa (napr. pece, krbu, ohrievače vody, ohrievače).
6. Nedovoľte deťom mladším ako 16 rokov, aby sa hrali na alebo v blízkosti vozíka bez dozoru.

!VAROVANIE

- NEDODRŽANIE TÝCHTO PREVÁDZKOVÝCH POKYNOV MÔŽE SPÔSOBIŤ VÁŽNE ZRANENIE ALEBO SMRŤ ALEBO MÔŽE SPÔSOBIŤ ELEKTRICKÝ SKRAT ALEBO POŽIAR.
- NEVYKONÁVAJTE ŽIADNE ÚPRAVY ČI MODIFIKÁCIE NA VOZÍKU ANI NEPRIDÁVAJTE ŽIADNE DIELY, KTORÉ NEPOVOLIA VÝROBCA, S VÝNIMKOU TÝCH, KTORÉ SÚ UVEDENÉ V TOMTO NÁVODE ALEBO TÝCH, KTORÉ VYŽ.
- NEODSTRAŇUJTE ŽIADNE REFLEKTORY, SVETLÁ ANI INÉ ŠTANDARDNÉ VYBAVENIE.

Hlavné súčasti vozíka



Hlavné súčasti vozíka



Zoznam častí					
1	Predné svetlo	17	Zásuvka pre nabíjačku	33	Predný tlmič
2	Spätné zrkadlo	18	Rýchlomer/tachometer	34	
3	Páčka zadnej brzdy	19	Spínač diaľkového svetla	35	
4	Páčka prednej brzdy	20	Spínač smeroviek	36	
5	Plynová rukoväť	21	Spínač klaksónu	37	
6	Predný smerovač	22	Rukoväť	38	Zadný tlmič
7	Predné koleso	23	Spínač predného svetla	39	Motor
8	Sedadlo	24	Spínač spiatočného smeru	40	Diferenciál
9	Zadný košík (nie je súčasťou)	25	Plynová rukoväť	41	Riadiaca jednotka
10	Zadné svetlo	26	Spínač prevodových stupňov	42	Menič napätia
11	Zámok sedadla	27	Zámok zapalovania	43	Batériový box
12	Svetlo pre značku	28	Predný odkladací priestor	44	Lanko na dotiahnutie brzdy
13	Kolieska proti prevážaniu	29		45	Zadná bubnová brzda
14	Zadné koleso	30	Parkovacia brzda		
15	Polohovacia páka (posuv sedadla)	31	Istič		
16	Operadlo	32	Predná bubnová brzda		



Rýchlomer / tachometer					
1	Ľavý smerovač	6	Úroveň batérie	11	Porucha bŕzd
2	Pravý smerovač	7	Prejdené km		
3	Rýchlostný stupeň	8	Porucha motora		
4	Rýchlosť	9	Porucha plynu		
5	Dial'kové svetlo	10	Porucha ovládača		

1. Porucha motora: Snímač motora / vnútorná cievka motora / kábel motora prerušený
2. Závada plynu: Kábel plynu/Snímač plynu/Konektor je prerušený. Môže tiež znamenať, že sa plyn nevráti do polohy stôp.
3. Porucha ovládača: MOSFET alebo iné časti vo vnútri ovládača sú poškodené.
4. Porucha brzdy: Prerušený brzdový spínač/lanko/konektor

Ak sa na rýchlomere zobrazia niektoré z týchto chybových ukazovateľ'ov, znamená to, že je s vozidlom niečo v neporiadku, a musíte vozidlo skontrolovať alebo zavolať miestnemu predajcovi.

Ukazovateľ' poruchy bŕzd sa zobrazí aj v prípade, keď stlačíte ručnú brzdu.

KLÚČ A ZAPAĽOVANIE



ON/OFF/LOCK spínač: (zapaľovanie)

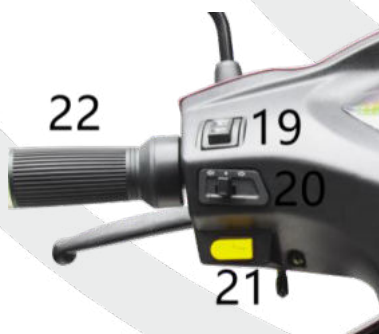
1. VOZÍK JE ZAPNUTÝ. Zapnite ho iba vtedy, keď ste pripravení vyraziť. Keď nejedete, vypnite ho a vyberte kľúč.
2. VOZÍK JE VYPNUTÝ. Ak ho nepoužívate, vypnite ho, aby ste šetrili batériu. Kľúč je možné vybrať.
3. Stlačte kľúč a otočte z polohy „2“ do polohy „4“, aby ste zablokovali riadidlá.
4. Riadidlá sú zablokované. Kľúč je možné tiež vybrať.

!POZOR PRED POUŽÍVANÍM VÁŠHO VOZÍKA SA UISTITE, ŽE RUKOVÄŤ PLYNU NIE JE OTOČENÁ DO POLOHY "ZAPNUTÉ"!

!PRED POUŽITÍM SA TIEŽ UISTITE, ŽE RUKOVÄŤ NIE JE "PRIPLEPENÁ" A MÔŽE SA VOĽNE OTOČIŤ SPÄŤ DO VÝCHODZIE POLOHY.

OVLÁDACIE SPÍNAČE

Vozík využíva rukoväť plynu, ktorá mení rýchlosť jazdy. Je na pravej strane riadidiel. Otočením rukoväte plynu smerom k sedadlu zrýchlite a otočením dopredu od sedadla spomalíte.



Ovládacie spínače a rukoväť plynu



Po zrýchlení sa odporúča vrátiť o 1/4 otáčky plyn. Zvýšite tak dojazd a predĺžite výdrž batérie.

OVLÁDANIE PLYNOVEJ RUKOVÄTI

1. Otočte kľúčik do polohy „ON“ a potom postupne otáčajte plynom, aby ste zrýchlili.
2. Aby ste zabránili strate kontroly nad vozidlom, otáčajte plynom pomaly, kým sa rýchlosť nezvýši.
3. Neotáčajte plyn, kým nie ste pripravení na jazdu.
4. Ak chcete zastaviť, uvoľnite plyn a súčasne použite prednú a zadnú brzdu. Môžete spomaliť ľahkým zošliapnutím brzd na spustenie režimu regenerácie.
5. Ak sa chcete rozbehnúť uvoľnite brzdy a postupne otáčajte plynom.
6. Pri otáčaní presuňte prepínač smerových svetiel doľava alebo doprava a nezabudnite ho po odbočení vypnúť.
7. Bezkefový motor vydáva slabý elektromagnetický hluk pri otáčaní plynom. To je normálne.
8. Pre vašu bezpečnosť prosím vyberte kľúč, keď nejete.



Spiaťočný smer

1. Tlačidlo spiaťočky sa nachádza vedľa plynu
2. Keď sa motor zastaví, môžete stlačiť tlačidlo radenia na spiaťočku a po ďalšom stlačení sa vozidlo opäť rozbehne vpred.
3. Ak je zaradený spätný chod, všetky smerové svetlá budú fungovať, aj klaksón môže vydávať zvuk.
4. Pri niektorých modeloch rýchlomeru sa zobrazí „R“, keď je zaradený spiaťočný smer.
5. Pre bezpečnú jazdu pri zaradenom spiaťočnom smere bude rýchlosť obmedzená.



Vzdialenosť a rýchlosť závisí od rôznych prvkov štýlu jazdca a stavu vozovky. Konštantná rýchlosť a menej zastávok zaistí dlhší dojazd. Medzi ďalšie faktory patrí počasie, stav vozidla a nabitie batérie. Vodiči musia byť opatrní pri jazde po nerovných cestách, za zlého počasia alebo pri nízkom nabití batérie. Pri jazde vždy kontrolujte ukazovateľ batérie a uistite sa, že sa príliš často príliš nevybíja.

PREVODOVÉ STUPNE A TOČIVÝ MOMENT

Vozík má 3 prevodové stupne.

1. Prevodový stupeň 1: Menšia rýchlosť a menší krútiaci moment (úsporný režim)
2. Prevodový stupeň 2: Vyššia rýchlosť a vyšší krútiaci moment (komfortný režim)
3. Prevodový stupeň 3: MAX rýchlosť a MAX krútiaci moment (stúpací režim).

Prepínač prevodových stupňov je umiestnený vedľa plynovej rukoväte.

1. Ak idete po rovnej ceste, môžete použiť Stupeň 1 na dosiahnutie maximálneho dosahu.
2. Keď idete do miernych kopcov alebo chcete ísť rýchlejšie, môžete použiť Stupeň 2.
3. Keď idete do prudkého kopca, mali by ste prepnúť na vysoký krútiaci moment pre maximálny výkon (prevodový stupeň 3).

Pri naštartovaní vozíka je automaticky nastavený stupeň 1.

Prevodový stupeň sa tiež zobrazí na displeji.



OVLÁDANIE SVETIEL A KLAKSÓNU

- č.23 - spínač predného svetla
- č.19 - spínač dial'kového svetla
- č.20 - spínač blinkrov
- č.21 - spínač klaksónu
- č.26 - spínač prevodových stupňov
- č.24 - spínač spiatočného smeru



BRZDNÝ SYSTÉM

Vozík má 2 druhy bŕzd:

1. Normálna mechanická brzda
2. Parkovacia brzda

Použite pravú a ľavú brzдовú páčku na ovládanie prednej a zadnej mechanickej brzdy.

Parkovacia brzda zablokuje zadné ľavé a pravé bočné koleso.

Najskôr stlačte páčku zadnej brzdy a zatlačte na vodiaci stĺpik (diel č. 30) a potom páčku uvoľnite.

Funkcia parkovania je účinná pri sklone pod 13 °.

Utiahnite maticu lanka zadnej brzdy (diel č. 44), pokiaľ parkovacia brzda nemôže udržať vozík.



NASTAVENIE SEDADLA

Sedačka sa môže polohovať smerom dopredu a dozadu.

Zatiahnutím za polohovaciu páku (diel č. 15) uvoľníte zámok sedadla.

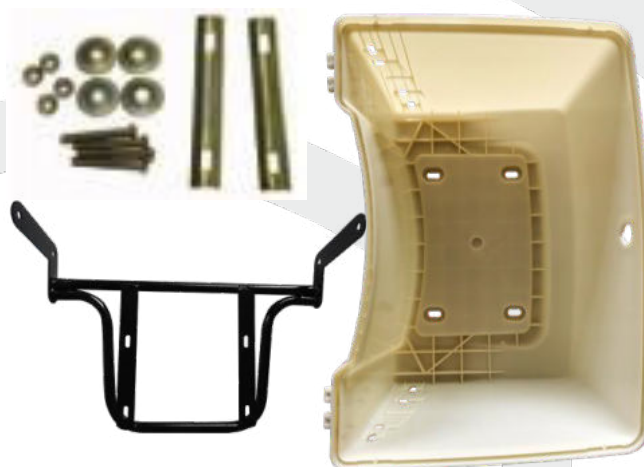
PROSÍM, NENASTAVUJTE SEDADLO DO ZADNEJ POLOHY V KOPČOVITEJ OBLASTI ALEBO PRI STÚPANÍ.



MONTÁŽ

ODKLADACÍ BOX

Umiestnite odkladací box do priestoru za sedadlom a pripevnite ho pomocou 4 ks skrutiek M6.



SPÄTNÉ ZRKADLÁ

Umiestnite spätné zrkadlá a pripevnite ich pomocou otvoreného kľúča č.14. Potom môžete upraviť uhol zrkadiel.



POKYNY K JAZDNÉMU SYSTÉMU

Jazdný systém sa skladá zo 4 hlavných častí:

- batéria
- riadiaca jednotka
- plyn. rukoväť
- motor

Keď je plynová rukoväť otočená, do riadiacej jednotky ide signál, ktorý zodpovedá uhlu natočenia. Potom riadiaca jednotka čerpá prúd z batérie príslušný k požadovanej rýchlosti ovládanej plynom a výkonu potrebného na rozjazd vozíka alebo na jazdu do kopca.

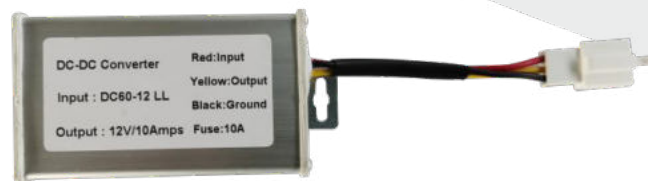
Čím vyššia je rýchlosť jazdy a čím strmšia je kopec, tým nižší je dojazd vozíka.

Hlavný istič pod sedadlom funguje ako vysokoprúdový chránič.

Prevodník 60V DC na 12V DC prevádza napätie na 12V. Všetky žiarovky fungujú na 12V.

Keď je vozík dlhší čas uložený, hlavný istič treba vypnúť.

Úplné otočenie plynu a jazda na vozíku na plný plyn taktiež zníži dojazd a životnosť batérie. Odporúčame vám začať plynulo a otočiť plyn o 1/4 otáčky nadol, akonáhle získate hybnosť.



POKYNY PRE BATÉRIU A NABÍJAČKU

PRED PRVÝM POUŽITÍM VÁŠHO NOVÉHO ZARIADENIA NABÍJAJTE BATÉRIU 8-12 HODÍN, ZA ŽIADNYCH OKOLNOSTÍ VŠAK DLHŠIE AKO 18 HODÍN.

Po každom použití vozík nabite. Udržiavanie správne nabitej batérie pomôže predĺžiť jej životnosť. Vozidlo nepoužívajte, ak indikátor napájania na prístrojovej doske ukazuje nízku energiu. Ak je vozidlo preťažené, životnosť batérie sa zníži. Vozidlo používa 60 (voltovú) batériu. Ak chcete nabiť batériu, pripojte 3-kolíkovú zástrčku do nabíjacej zásuvky umiestnenej priamo pod predným sedadlom. Ak si všimnete čokoľvek neobvyklé na batérii, ako je prasknuté alebo vytekajúce puzdro batérie, batéria, ktorá sa pri používaní alebo nabíjaní zahrieva, puzdro batérie, ktoré vyzerá „nafúknuté“ atď., alebo sa vyskytli iné problémy s batériou, obráťte sa na miestneho predajcu. Batéria je zapečatená a užívateľ ju nemôže opravovať. Nepokúšajte sa opravovať, odstraňovať, nastavovať alebo akýmkoľvek spôsobom upravovať akékoľvek vnútorné alebo elektrické súčasti, ovládacie prvky alebo kabeláž bez toho, aby ste sa najskôr poradili so zástupcom zákazníckeho servisu.

Hlavná batéria váži približne 32 kg. Nie je potrebné ju vyberať z vozidla, pokiaľ ju nevymieňate. Pokiaľ chcete batériu vymeniť, kontaktujte svojho miestneho predajcu. Vozidlo je vybavené 60V nabíjačkou batérií, ktorá preruší proces nabíjania, akonáhle je batéria dostatočne nabitá. Týmto dôrazne odporúčame, aby sa nabíjačka nepoužívala dlhšie ako 18 hodín, aby sa zabránilo zbytočnému opotrebovaniu batérie alebo nabíjačky samotnej. Nabíjanie po dobu dlhšiu ako 18 hodín môže znížiť celkovú životnosť a účinnosť týchto položiek.



**!POZOR CHRÁŇTE BATÉRIU PRED PÁDY A NÁRAZY.
!POZOR ABY SA POČAS NABÍJANIA NEPOŠKODILA BATÉRIE,
POUŽÍVAJTE LEN NABÍJAČKU DODANÚ S VAŠÍM VOZÍKOM .**

POKYNY PRE BATÉRIU A NABÍJAČKU

!VAROVANIE

NENABÍJAJTE ANI NESKLADUJTE VOZÍK/BATÉRIU BLÍŽE AKO 20 STOP OD AKÉHOKOĽVEK PLAMEŇA/ZDROJA TEPLA (NAPR. PECE, KRBU, OHRIEVAČA VODY, OHRIEVAČA PRIESTORU).

NENECHÁVAJTE ZARIADENIA PRIPOJENÉ K NABÍJAČKE ZA ŽIADNYCH OKOLNOSTÍ ĎALEJ AKO 18 HODÍN! TO BY MOHLO SPÔSOBIŤ PREHRIATIU BATÉRIE ALEBO NABÍJAČKY A SPÔSOBIŤ POŽIAR.

POČAS NABÍJANIA NEZAKRÝVAJTE NABÍJAČKU. MOHLO BY TAK DÔJSŤ K PREHRIATIU NABÍJAČKY A SPÔSOBENIE POŽIARU.

NENABÍJAJTE ZA DAŽĎA, MOHLO BY TAK DÔJSŤ K SKRATU NABÍJAČKY.

NENABÍJAJTE, KEĎ JE TEPLOTA NIŽŠIA AKO 5 °C, MÔŽE TO SPÔSOBIŤ ZNÍŽENIE KAPACITY BATÉRIE.

PONECHANIA NABÍJAČKY ZAPOJENÉ V ZDROJI 110V/220V A NIKOLIV BATÉRIE BY MOHLO SPÔSOBIŤ PREHRIATIU BATÉRIE A ALEBO SPÔSOBIŤ POŽIAR. NEUDRŽIAVANIE BATÉRIE VOZÍKA V NABITOM STAVE BUDE PRÍČINOU CELKOVÉHO ZLYHANIA BATÉRIE. NENECHAJTE BATÉRIU PLNE VYBIŤ!!! VŽDY DOBÍJAJTE BATÉRIU SKÔR, NEŽ KONTROLKA NAPÁJANIA NA PRÍSTROJOVEJ DOSKE UKÁŽE „NAPÁJANIE“. ÚPLNÝM VYBITÍM BATÉRIE znížite jej životnosť a môže to batéria úplne zničiť alebo to môže spôsobiť prehriatie batérie alebo nabíjačky a pri budúcom nabíjaní vozidla spôsobiť požiar.

STĹPIKY AKUMULÁTOROV, SVORKY, NAPÁJACIE ŠNÚRY A BRZDOVÉ KÁBLE MÔŽU OBSAHOVAŤ OLOVO, ZLÚČENINY OLOVA A INÉ CHEMICKÉ LÁTKY. PO MANIPULÁCII S NIMI SI UMÝVAJTE RUKY.

AK MÁTE AKEJKOĽVEK POCHYBNOSTI O STAVE VOZÍKA ALEBO AKEJKOĽVEK JEJO ČASTI, NEPOUŽÍVAJTE HO. ZAVOLAJTE SVOJMU PREDAJCU.

1. Uistite sa, že používate iba 110V AC nabíjačku pre NA a 220V AC nabíjačku pre Európu.
2. Ak chcete nabíjať vozidlo, NAJPRV zapojte výstupný kábel nabíjačky do nabíjacej zásuvky vozidla (diel č. 17), AKO ĎALŠIE zapojte vstupný kábel nabíjačky, čo je AC kábel, do AC zásuvky. Ak chcete ukončiť nabíjanie NAJPRV odpojte AC stranu, potom môžete odpojiť stranu vozidla.
3. KONTROLKA NABÍJAČKY sa rozsvieti a potvrdí, že je nabíjačka pripojená k napájaniu. Ak sa kontrolka nerozsvieti, skontrolujte všetky pripojenia. Pokiaľ sa nerozsvieti ani po kontrole všetkých pripojení, poistiak a funkčnosti siet'ovej zástrčky, odpojte nabíjačku a zavolajte miestneho predajcu.
4. Keď kontrolka na nabíjačke svieti na červeno, batéria vozíka sa správne nabíja. Keď je batéria vozidla plne nabitá, kontrolka sa rozsvieti na zeleno. Pokiaľ k tomu nedôjde po 16 hodinách nabíjania, odpojte nabíjačku a zavolajte miestnemu predajcovi. Normálna doba nabíjania hlavnej batérie je 4-6 hodín (za predpokladu, že nie je 100% vybitá).
5. Pri dlhodobom skladovaní vozíka je potrebné batériu nabiť aspoň raz za mesiac, aby sa zabránilo úplnému vybitiu.

RECYKLÁCIA BATÉRIE

Pri správnej údržbe a používaní (pri dodržaní pokynov na nabíjanie a skladovanie) má olovená batéria použitá v tomto produkte bežnú životnosť dva až tri roky. Ak už batéria nevydrží alebo ju nemožno správne nabiť, mala by byť vybratá z vozidla a doručená do recyklačného zariadenia. Nevyhadzujte olovené batérie do bežného odpadu.

ÚDRŽBA

Aby ste minimalizovali pravdepodobnosť nehody a možného zranenia, je dôležité, aby sa pravidelne vykonávali údržbové práce a prípadné opravy. Táto príručka však nemôže obsahovať kompletne informácie týkajúce sa všetkých opráv a/alebo údržby vášho vozíka. Pre podrobnejšie pokyny na údržbu alebo na objednanie náhradných dielov kontaktujte svojho predajcu.

Skutočnosť, že toto vozidlo nemá žiadny spalovací motor, žiadnu spojku, žiadne zapalovacie sviečky, žiadny karburátor a nepoužíva žiadny benzín, znamená, že v podstate nevyžaduje žiadnu väčšiu údržbu.

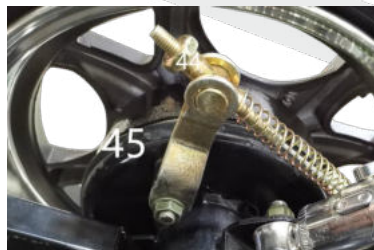
Všeobecne všetka pravidelná mechanická údržba spočíva v:

- nastavenie brzd
- kontrole matíc a skrutiek
- kontrole tlaku v pneumatikách

Údržba brzd

Predné a zadné brzdové doštičky sa musia trochu odrieť. U bubnovej brzdy utiahnite matice na konci lanka, aby ste ich nastavili. Pokiaľ sa vypínacia sila zníži, môžete tiež skontrolovať brzdové podložky. V prípade potreby ich očistíte brúsny papierom. Ak sú brzdové doštičky opotrebované, vymeňte ich. Pokiaľ je brzdové lanko natiahnuté do tej miery, že na konci nezostali žiadne závity, odskrutkujte páčku a otočte ju smerom od lanka.

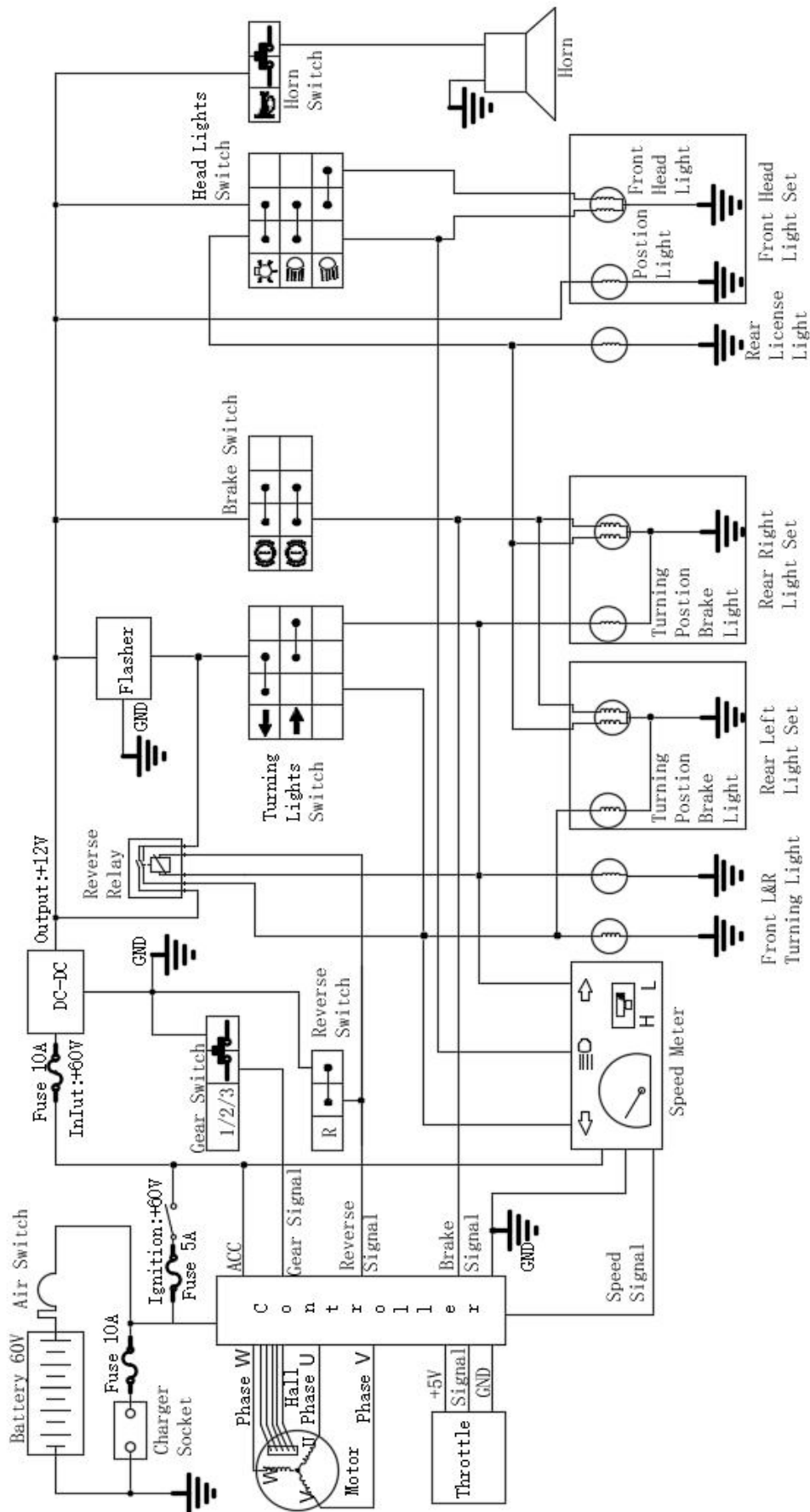
Zadná bubnová brzda



Predná bubnová brzda



ELECTRICAL SCHEMATIC DIAGRAM



RACC@WAY®

e - motorcycles

Naskenujte QR kód pre prípadnú aktualizovanú verziu a ďalšie jazykové verzie:
Scan the QR code for updates and other languages versions:



Verze: 2023/02-17

Technická podpora a servis:

e-mail:

pavel.kozeluh@rulyt.cz

reklamace@rulyt.cz

Viac informácií na:

www.motoe.eu

RACC@WAY®

e - motorcycles

(ES) MANUAL DE USUARIO



-VIA



Lea atentamente estas instrucciones antes de poner en marcha el scooter. Se recomienda que el conductor de este scooter tenga al menos 16 años de edad.

Para obtener la última versión de este manual de usuario y toda la información actualizada del producto, póngase en contacto con su distribuidor local.

Introducción

Estimados clientes,

Gracias por comprar un cochecito VIA. Creemos que le servirá y le aportará mucho disfrute.

Por favor, lea atentamente todo el manual de instrucciones antes de utilizarlo por primera vez y guárdelo con cuidado.



► Por favor, rellene los siguientes datos:

VIN: _____

Modelo: _____

Color: _____

Fecha de la compra: _____

Distribuidor: _____

INFORMACIÓN GENERAL

Este manual contiene una serie de pictogramas de **ADVERTENCIA** sobre las consecuencias de un mantenimiento inadecuado o de un uso incorrecto de su scooter eléctrico. El pictograma ▲ **ADVERTENCIA** significa que el incumplimiento de las instrucciones durante el uso puede provocar la pérdida de control del vehículo, un choque y las consiguientes lesiones al conductor o a otras personas que se encuentren en las proximidades. El pictograma ▲ **PRECAUCIÓN** significa que el incumplimiento de las instrucciones puede provocar daños en el scooter o en sus componentes durante su instalación o uso.

INSTRUCCIONES Y LIMITACIONES GENERALES DE SEGURIDAD

1. Nunca haga zig zag entre otros vehículos y no realice maniobras que puedan sorprender a otros usuarios de la vía.
2. No lleve nunca nada que pueda obstruir su visión o el funcionamiento seguro del scooter eléctrico o que pueda enredarse en las partes móviles del mismo.
3. Nunca sea remolcado por otro vehículo.
4. No utilice auriculares o el teléfono móvil mientras conduce (enmascaran el sonido de tráfico y las sirenas de los vehículos de emergencia, le distraen de concentrarse en lo que sucede a su alrededor y los cables pueden enredarse en las partes móviles del scooter, causando la pérdida de control).
5. No lleve más de 15 kg de carga en el compartimento de carga (excluyendo al conductor).
6. No conduzca a una velocidad superior a 25 km por hora.
7. No utilice el vehículo descalzo o con sandalias, con la punta de zapatos abierta, con tacones altos o plataformas.
8. El carrito no debe ser conducido por una persona que haya consumido alcohol o una droga que pueda perjudicar la capacidad de manejo del scooter.
9. El conductor debe mantener ambas manos en el manillar cuando conduzca el vehículo.
10. Siéntese en el asiento cuando conduzca
11. No conduzca sobre rampas, bordillos u objetos y no intente ningún tipo de acrobacias.
12. No sobrepase sus capacidades ni su experiencia previa.
13. No se detenga sólo con el freno delantero. Utiliza los dos frenos al mismo tiempo.
14. No intente acelerar y frenar al mismo tiempo.
(Esto puede causar daños en el motor o en la transmisión o sobrecalentamiento del motor o tren motriz).

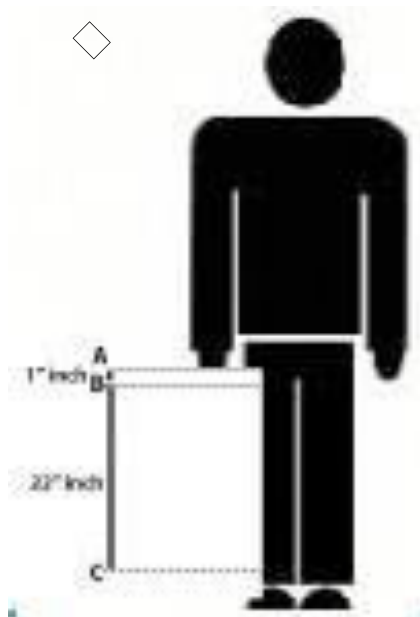
▲ ADVERTENCIA

UTILICE SIEMPRE EL CASCO, que llevan los ciclistas CUANDO CONDUZCA EL SCOOTER ELÉCTRICO.

▲ ADVERTENCIA

ADEMÁS DE LOS REQUISITOS MENCIONADOS EL SCOOTER ELÉCTRICO NO DEBE SER UTILIZADO:

1. en superficies irregulares, rugosas o sin pavimentar
2. en la oscuridad sin luces
3. en superficies de arena o grava
4. por una persona que pese más de 150 kg
5. por cualquier persona que tenga una longitud inferior al de 22"



ANTES DE CADA VIAJE:

▲ADVERTENCIA

▲ATENCIÓN

1. Asegúrate de llevar el casco correctamente.
2. Utilice ropa y guantes de protección.
3. Utilice una protección ocular que no interfiera con su visión periférica.
4. Compruebe las leyes locales y estatales en cualquier zona antes de utilizar un scooter.
5. Asegúrese de que todas las luces de freno/traseras, los intermitentes y los faros delanteros están en funcionamiento.
6. Asegúrese de que la bocina es funcional.
7. Asegúrese de que los frenos están bien ajustados y funcionan correctamente.

-
8. Asegúrese de que entiende cómo funcionan los frenos y que sus manos pueden alcanzar y presionar las palancas cómodamente y con firmeza para detener el scooter con seguridad.
 9. Asegúrese de que todas las partes del carrito están correctamente fijadas y ajustadas, incluyendo, pero no exclusivamente, las ruedas, todos los controles y la carga (véase las instrucciones de montaje).
 10. Asegúrese de que los neumáticos no estén excesivamente desgastados, agrietados o con muescas y están debidamente asentados en la llanta e inflados a la presión correcta.
 11. Asegúrese de que las ruedas giran en línea recta y de que las llantas no están dobladas o dañadas (la rueda delantera debe estar intacta para que los frenos funcionen correctamente).
 12. Asegúrese de que el acelerador está en la posición "OFF" antes de girar la llave del scooter. Esto evitará, que el carrito se ponga en marcha sin previo aviso.
 13. Antes de encender la llave, asegúrese de que el "interruptor de aire" situado debajo del asiento está en la posición "On".

DESPUÉS DE CADA VIAJE:

▲ADVERTENCIA ▲ATENCIÓN

1. Compruebe que el encendido está desconectado y que todas las llaves están retiradas y guardadas en un lugar seguro.
2. Asegúrese de haber conectado la batería al cargador.
3. Compruebe que el acelerador está en la posición "OFF".
4. Asegúrese de que el scooter eléctrico no se almacene en el exterior o en lugares donde la humedad pueda dañarlo.
5. No cargue ni guarde el scooter eléctrico a más de 20 pies de cualquier fuente de calor (por ejemplo, horno, chimenea, calentador de agua, termostato).
6. No permita que los niños menores de 16 años jueguen sin supervisión con el scooter eléctrico o cerca de él.

▲ADVERTENCIA

- EL INCUMPLIMIENTO DE ESTAS INSTRUCCIONES DE USO PUEDE CAUSAR LESIONES GRAVES O LA MUERTE , O PUEDE PROVOCAR UNA DESCARGA ELÉCTRICA Y/O UN INCENDIO.
- NO REALICE NINGÚN CAMBIO O MODIFICACIÓN EN EL MOTOR NI AÑADA NINGUNA PIEZA QUE NO HAYA SIDO AUTORIZADA POR EL FABRICANTE , SALVO LO INDICADO EN ESTE MANUAL O LO EXIGIDO POR LA LEY .
- NO RETIRE NINGÚN REFLECTOR , LUZ U OTRO EQUIPAMIENTO DE SERIE .

Todas las piezas de repuesto autorizadas serán suministradas por su distribuidor local.

Principales componentes del carrito



Principales componentes del carrito



Lista de piezas

1	Luz delantera	17	Toma para el cargador	33	Amortiguador delantero
2	Luz trasera	18	Velocímetro/Tacómetro	34	
3	Palanca de freno trasera	19	Interruptor de luces largas	35	
4	Palanca de freno delantera	20	Interruptor luces indicadoras	36	
5	Manivela de gas	21	Interruptor bocina	37	
6	Intermitente frontal	22	Manivela	38	Amortiguador trasero
7	Rueda delantera	23	Interruptor luz delantera	39	Motor
8	Silla	24	Interruptor dirección inversa	40	Diferencial
9	Cesta trasera (no incluida)	25	Manivela de gas	41	Unidad de control
10	Luz trasera	26	Interruptor de marchas	42	Convertidor de tensión
11	Bloqueo del asiento	27	Bloqueo de encendido	43	Caja de baterías
12	Luz de matrícula	28	Compartimento de almacenamiento delantero	44	Cable para tensar el freno
13	Ruedas antivuelco	29		45	Freno de tambor trasero
14	Rueda trasera	30	Freno de aparcamiento		
15	Palanca de posicionamiento (deslizamiento del asiento)	31	Disyuntor		
16	Respaldo	32	Freno de tambor delantero		



Velocímetro / tacómetro					
1	Intermitente izquierdo	6	Nivel de batería	11	Fallo de frenos
2	Intermitente derecho	7	Kilómetros recorridos		
3	Índice de velocidad	8	Fallo de motor		
4	Velocidad	9	Fallo de acelerador		
5	Luz larga	10	Fallo de mando		

1. Fallo del motor: Sensor del motor / bobina interna del motor / cable del motor roto
2. Fallo del acelerador: El cable del acelerador/sensor del acelerador/conector está roto. También puede significar, que el acelerador no vuelve a la posición de parar.
3. Fallo del controlador: El MOSFET u otras partes dentro del controlador están dañados.
4. Fallo en los frenos: Interruptor/eslabón/conector de freno roto.

Si el velocímetro muestra alguno de estos indicadores de error, significa que algo va mal en el vehículo y hay que revisarlo o llamar a su distribuidor local. El indicador de fallo de los frenos también aparecerá si acciona el freno de mano.

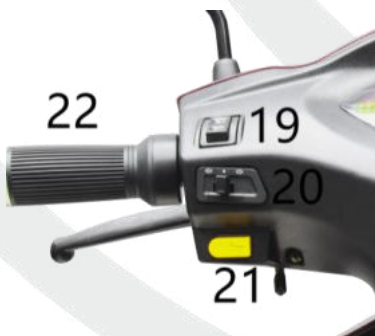
ON/OFF/LOCK: (encendido)



1. El electro Scooter está encendido. Arranque cuando está preparado para el viaje. Apáguelo cuando el scooter ya no está en movimiento y retire la llave.
2. El electro Scooter está apagado. Apáguelo siempre cuando no está utilizando el scooter para conservar la batería. Se puede retirar la llave.
3. Presione la llave y gire de la posición "2" a la posición "4", para bloquear el manillar.
4. El manillar está bloqueado. La llave se puede retirar.

▲ ADVERTENCIA

ANTES DE SALIR CON TU SCOOTER ELÉCTRICO, ASEGURESE ¡¡¡QUE LA MANILLA DEL ACELERADOR NO ESTÁ EN LA POSICIÓN "ON " !!! TAMBIÉN ASEGÚRESE DE QUE EL MANGO DEL ACELERADOR NO ESTÉ ATASCADO Y VUELVE LIBREMENTE A SU POSICIÓN ORIGINAL .



Interruptores de control y el mango del acelerador



Después de la aceleración, se recomienda volver a girar la manilla del acelerador un 1/ 4 de vuelta. Esto aumentará el alcance y prolongará la vida de la batería.

CONTROL DE MANGO DE ACELERADOR

1. Gire la llave de contacto a la posición " ON" y, a continuación, gire el mango del acelerador gradualmente.

2. Para no perder el control del vehículo, gire lentamente el acelerador hasta que la velocidad aumente

3. No gire el mando del acelerador hasta que esté preparado para circular.

4. Para detenerse, suelte el acelerador y presione simultáneamente los frenos delanteros y traseros. Puede reducir la velocidad accionando ligeramente los frenos para iniciar el modo de regeneración.

5. Para arrancar, hay que soltar los frenos y girar poco a poco el puño del acelerador.

6. Al girar, mueva la palanca direccional hacia la izquierda o la derecha. Asegúrese de presionarla después, para desactivarla.

7. El motor conmutador produce un pequeño ruido electromagnético durante la conducción. Esto es normal.

8. Por seguridad, retire la llave de contacto del encendido cuando el scooter eléctrico no esté en movimiento.



MARCHA ATRÁS

1. El botón de marcha atrás está situado junto al acelerador

2. Cuando el motor se detiene, puede pulsar el botón de la marcha atrás y tras otra pulsación, el vehículo comienza a avanzar de nuevo.

3. Si la marcha atrás está engranada, todos los intermitentes funcionarán, incluido el claxon puede sonar.

4. En algunos modelos de velocímetro, se mostrará "R" cuando esté en retroceso.

5. Para conducir con seguridad en retroceso, la velocidad será limitada.



La distancia y la velocidad dependen de varios elementos del estilo del conductor y de las condiciones de la carretera. Una velocidad constante y un número menor de paradas garantizan una mayor autonomía. Otros factores son el clima, el estado del vehículo y de la carga de la batería. Los conductores deben tener cuidado al conducir por carreteras en mal estado, en malas condiciones climáticas o cuando la carga de la batería es baja. Al conducir, compruebe siempre el indicador de la batería y asegúrese de que no se descargue con demasiada frecuencia.

RANGOS DE TRASMISIÓN Y PAR

El carrito tiene 3 marchas.

1. Marcha 1: Velocidad más baja y Menos par motor (modo económico)
2. Marcha 2: Mayor velocidad y mayor par motor (modo confort)
3. Marcha 3: velocidad MAX y MAX par motor (modo de ascenso).

El interruptor de marchas está situado junto al puño del acelerador.

1. Si se conduce por una carretera recta, se puede utilizar el Grado 1 para alcanzar el máximo alcance.
2. Cuando se conduce por pequeñas colinas o desea ir más rápido, puede utilizar el Grado 2.
3. Si sube una colina empinada, debe de cambiar a un par alto para potencia máxima (marcha 3).

Al arrancar la máquina, ésta se ajusta automáticamente a la marcha 1.

La marcha también se mostrará en la pantalla.



CONTROL DE LUCES Y BOCINA

- č.23 - interruptor luz delantera
- č.19 - interruptor luz larga
- č.20 - interruptor de intermitentes
- č.21 - interruptor de bocina
- č.26 - interruptor de marchas
- č.24 - interruptor de marcha atrás



SISTEMA DE FRENOS

El carrito tiene 2 tipos de frenos:

1. Freno mecánico normal
2. Freno de estacionamiento

Utilice la palanca del freno derecho e izquierdo para accionar la parte delantera y trasera de freno mecánico.

El freno de estacionamiento bloquea la parte trasera izquierda y la rueda del lado derecho.

Primero presione la palanca del freno trasero y empuje la barra de guía (pieza nº 30) y luego suelte la palanca.

La función de aparcamiento es efectiva cuando la inclinación es inferior a 13°.

Apriete la tuerca del cable del freno trasero (pieza nº 44) si el freno de estacionamiento no puede sostener el carrito.



AJUSTE DEL ASIENTO

El asiento se puede reclinar hacia adelante y hacia atrás.

Tirando de la palanca de reclinación (pieza nº 15) permite liberar el bloqueo del asiento.

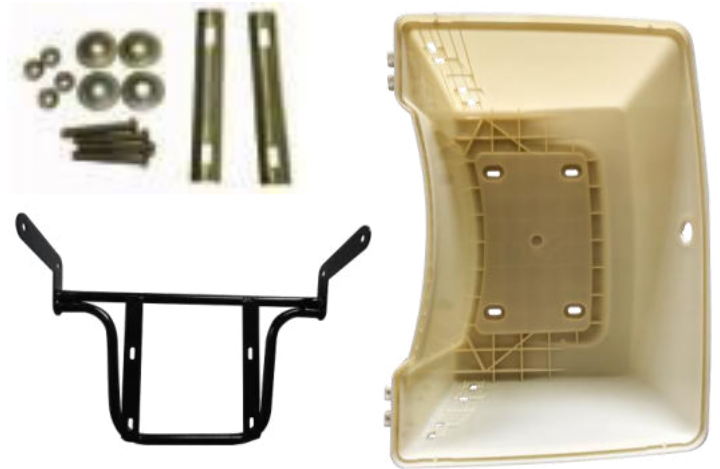
POR FAVOR, NO AJUSTE EL ASIENTO EN LA POSICIÓN HACIA ATRÁS EN UNA ZONA MONTAÑOSA O CUANDO ESTÁ EN ASCENSO.



MONTAJE

CAJA DE ALMACENAJE

Coloque la caja de almacenamiento en el espacio detrás del asiento y fije lo con 4 tornillos M6.



ESPEJOS RETROVESORES

Coloque los espejos retrovisores y fíjelos con llave de boca nº 14. A continuación, podrá ajustar el ángulo de los espejos.



INSTRUCCIONES PARA EL MECANISMO DE CONDUCCIÓN

el sistema de conducción consta de 4 elementos principales :

- batería
- unidad de control
- acelerador
- motor

Cuando el mango del acelerador está girado, la unidad de control envía una señal que corresponde al ángulo de rotación. Entonces la unidad de control impulsa la corriente de la batería adecuada a las necesidades de la velocidad y la potencia controladas por el acelerador para poner en marcha el carrito o para conducir cuesta arriba.

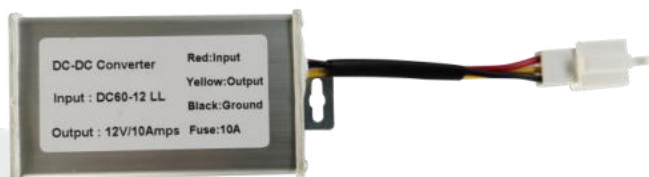
Cuanto más alta sea la velocidad de desplazamiento y más empinada sea la colina, menor será el alcance del carrito.

El disyuntor principal bajo el asiento actúa como protector de alta corriente.

Un convertidor de 60V DC a 12V DC convierte la tensión a 12V. Todas las bombillas funcionan en 12V.

Cuando el carrito está parado durante períodos largos de tiempo, el principal el disyuntor debe estar desconectado.

Giro del acelerador al máximo y conduciendo el carrito a fondo también reducirá la autonomía, la vida útil y la duración de la batería. Le recomendamos que empiece con el acelerador con fluidez y baje el acelerador 1/4 de vuelta tan pronto como gana impulso.



INSTRUCCIONES PARA LA BATERÍA Y EL CARGADOR

CARGUE LA BATERÍA DURANTE 8-12 HORAS ANTES DE UTILIZAR SU NUEVO EQUIPO POR PRIMERA VEZ, PERO EN NINGÚN CASO MÁS DE 18 HORAS.

Cargue el carrito después de cada uso. Manteniendo la batería correctamente cargada ayudará a prolongar su vida. No utilice el vehículo si el indicador de encendido del salpicadero indica baja potencia. Si el vehículo está sobrecargado, la duración de la batería se reducirá. El vehículo utiliza 60 (voltios) de la batería. Para cargar la batería, conecte el enchufe de 3 clavijas a la toma de carga situado directamente bajo el asiento delantero. Si nota algo inusual en la batería, como por ejemplo la caja de batería agrietada o con fugas, una batería que en el uso o cargando se calienta demasiado, carcasa de batería que parece "hinchada", etc., u otros problemas con la batería, póngase en contacto con su distribuidor local. La batería está sellada y el usuario no puede repararla. No intente reparar, desmontar, ajustar o de alguna manera modificar en modo alguno los componentes internos o eléctricos, los controles o cableado sin consultar primero a un representante del servicio de atención al cliente.

La batería principal pesa aproximadamente 32 kg. No es necesario retirarla del vehículo a menos que la desea sustituir.

Si desea sustituir la batería, póngase en contacto con su distribuidor local. El vehículo está equipado con un cargador de baterías de 60 V que interrumpe el proceso de carga una vez que la batería está suficientemente cargada.

Se recomienda encarecidamente no utilizar el cargador durante más de 18 horas para evitar el desgaste innecesario de la batería o del propio cargador. Cargar durante un periodo de tiempo más largo que 18 horas puede reducir la vida útil y la eficacia de estos elementos.



¡¡ATENCIÓN!! TENGA CUIDADO EN PROTEGER LA BATERÍA DE CAÍDAS Y GOLPES.

¡¡ATENCIÓN!! CUIDADO PARA EVITAR QUE LA BATERÍA SE DAÑE DURANTE LA CARGA, UTILICE SÓLO EL CARGADOR SUMINISTRADO CON SU CARRITO.

INSTRUCCIONES PARA LA BATERÍA Y EL CARGADOR

ADVERTENCIA

- NO CARGUE NI ALMACENE EL CARRITO/BATERÍA A MENOS DE 20 PIES DE CUALQUIER LLAMA/ FUENTE DE CALOR (POR EJEMPLO, HORNO, CHIMENEA, CALENTADOR DE AGUA, CALEFACTOR).
- NO DEJE EL DISPOSITIVO CONECTADO AL CARGADOR BAJO NINGUNA CIRCUNSTANCIA DURANTE MÁS TIEMPO QUE 18 HORAS! ESTO PODRÍA HACER QUE LA BATERÍA O EL CARGADOR SE SOBRECALENTARAN Y PROVOCARAN UN INCENDIO.
- NO CUBRA EL CARGADOR DURANTE LA CARGA. ESTO PODRÍA CAUSAR EL SOBRECALENTAMIENTO DEL CARGADOR Y PROVOCAR UN INCENDIO.
- NO CARGUE BAJO LA LLUVIA, ESTO PODRÍA CAUSAR UN CORTOCIRCUITO EN EL CARGADOR.
- NO CARGUE CUANDO LA TEMPERATURA ES INFERIOR A 5°C, ESTO PUEDE CAUSAR UNA REDUCCIÓN DE LA CAPACIDAD DE LA BATERÍA.
- DEJAR EL CARGADOR ENCHUFADO A UNA FUENTE DE ALIMENTACIÓN DE 110V/220V Y NO A LA BATERÍA PODRÍA CAUSAR SOBRECALENTAMIENTO DE LA BATERÍA Y O PROVOCAR UN INCENDIO.
- SI NO SE MANTIENE LA BATERÍA DEL CARRITO EN UN ESTADO CARGADO, PUEDE PRODUCIR UN FALLO TOTAL DE LA BATERÍA. ¡¡¡NO DEJE QUE LA BATERÍA SE DESCARGUE POR COMPLETO!!! RECARGUE SIEMPRE LA BATERÍA ANTES DE QUE LA LUZ DE ENCENDIDO DEL TABLERO DE MANDOS MUESTRA " ENCENDIDA LA FUENTE DE ALIMENTACIÓN". LA DESCARGA COMPLETA DE LA BATERÍA REDUCIRÁ SU VIDA ÚTIL Y PUEDE DESTRUIR COMPLETAMENTE LA BATERÍA O HACER QUE LA BATERÍA O EL CARGADOR SE SOBRECALIENTEN Y PROVOCQUEN UN INCENDIO LA PRÓXIMA VEZ QUE SE CARGUE EL CARRITO.
- LOS POSTES DE LA BATERÍA, LAS PINZAS, LOS CABLES DE ALIMENTACIÓN Y LOS CABLES DE LOS FRENOS PUEDEN CONTENER PLOMO, COMPUESTOS DE PLOMO Y OTRAS SUSTANCIAS QUÍMICAS. LÁVESE LAS MANOS DESPUÉS DE MANIPULARLAS.
- SI TIENE ALGUNA DUDA SOBRE EL ESTADO DEL VEHÍCULO O DE ALGUNA DE SUS PARTES, NO LO USE. LLAME A SU DISTRIBUIDOR.

1. Asegúrese de utilizar sólo el cargador de 110V AC para NA y el cargador de 220V AC para Europa.
2. Si desea cargar su vehículo, NO conecte el cable de salida del cargador a la toma de carga del vehículo. (parte #17), luego enchufe el cable de entrada del cargador, que es el cable de CA, en el tomacorriente de CA. Para terminar la carga primero desconecte el lado de la CA, luego puede desconectar el lado del vehículo.
3. La luz de CONTROL DEL CARGADOR se iluminará para confirmar que el cargador está conectado a la corriente . Si el indicador luminoso no se enciende, compruebe todas las conexiones. Si la luz no se enciende incluso después de comprobar todas las conexiones, fusibles y el enchufe funciona, desenchufe el cargador y llame a su distribuidor local.
4. Cuando la luz del cargador está en rojo, la batería del carrito se está cargando correctamente. Cuando la batería del vehículo está completamente cargada, la luz indicadora se pondrá verde. Si esto no ocurre después de 16 horas de carga, desconecte el cargador y llame a su distribuidor local. El tiempo normal de carga de la batería principal es de 4 a 6 horas (siempre que no está descargada al 100%).
5. Cuando se almacena el carrito durante largos períodos de tiempo, la batería debe cargarse al menos una vez al mes para evitar descarga completa.

RECICLAJE DE BATERÍAS

Con un mantenimiento y uso adecuados (siguiendo las instrucciones de carga y almacenamiento), la batería de plomo-ácido utilizada en este producto tiene una duración habitual de dos a tres años. Si la batería ya no dura o no se puede cargar correctamente, debe ser retirada del vehículo y entregada a una instalación de reciclaje. No tire las baterías de plomo a la basura habitual.

MANTENIMIENTO

Para minimizar la probabilidad de un accidente y de posibles lesiones, es importante llevar a cabo los trabajos regulares de mantenimiento y las posibles reparaciones. Sin embargo, este manual no puede contener información completa sobre todas las reparaciones y/o el mantenimiento de su carrito. Para obtener instrucciones de mantenimiento más detalladas o para pedir piezas de repuesto, póngase en contacto con su distribuidor.

El hecho de que este vehículo no tenga motor de combustión interna, ni embrague, ni bujías, que no tenga carburador, y no utiliza gasolina, significa que esencialmente no requiere un mantenimiento importante.

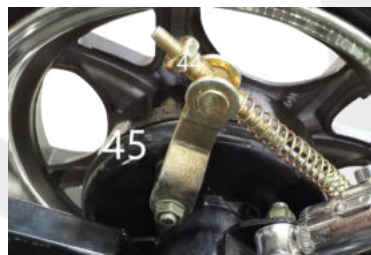
En general, todo el mantenimiento mecánico habitual consiste en:

- ajuste de los frenos
- revisión de tuercas y tornillos
- revisión de la presión de los neumáticos

Mantenimiento de los frenos

Las pastillas de freno delanteras y traseras necesitan algo de desgaste. Apriete las tuercas del freno de tambor en el extremo del cable para alinearlos. Si la fuerza de liberación disminuye, también puede revisar las pastillas de freno. Si es necesario, límpialos con papel de lija. Si las pastillas de freno están desgastadas, sustitúyalas. Si el cable de freno está tan tensado que no quedan hilos en el extremo, desenrosque la palanca y gírela para alejarla del cable.

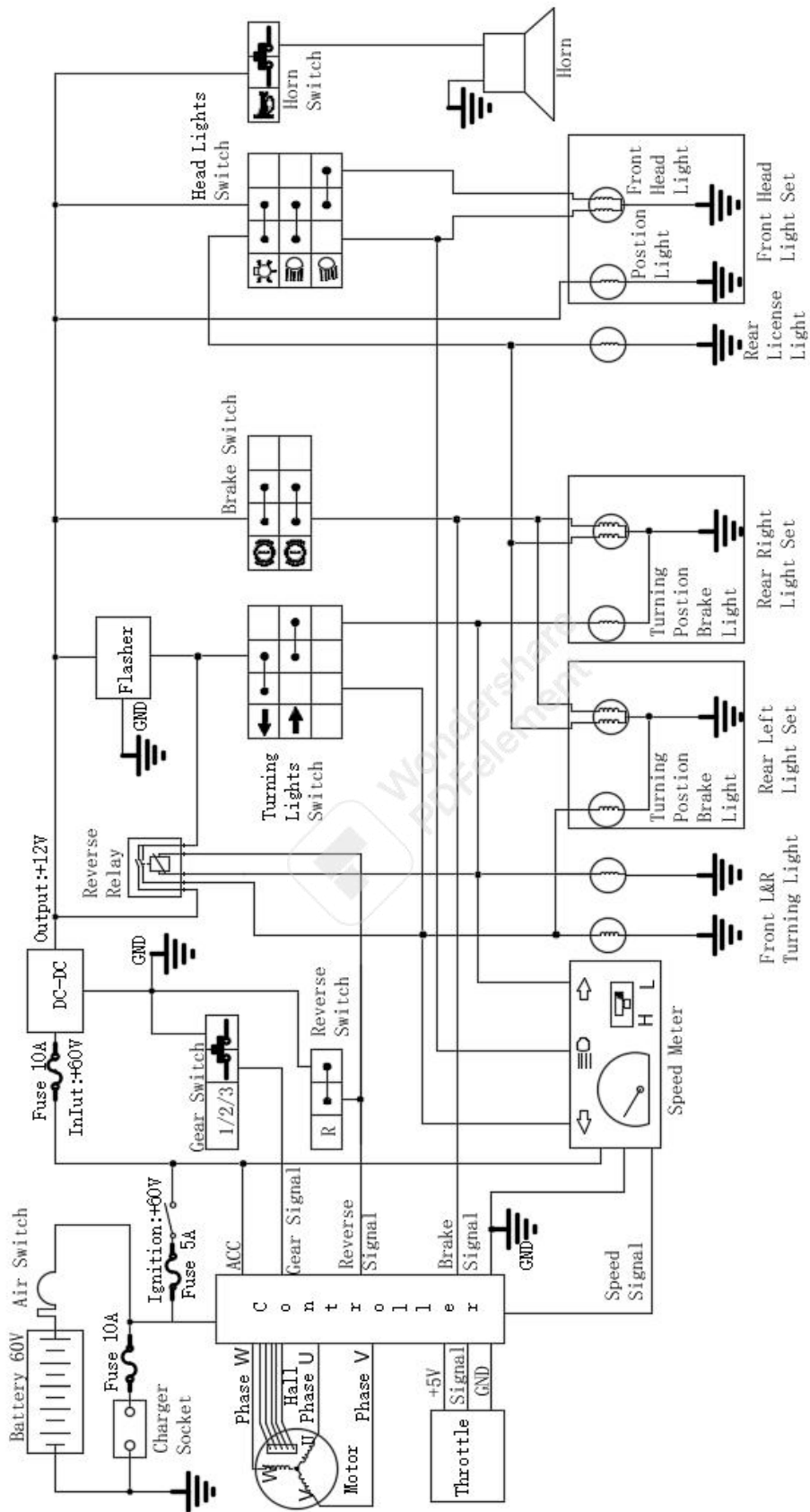
Freno de tambor trasero



Freno de tambor delantero



ESQUEMA ELÉCTRICO



RACC@WAY®

e - motorcycles

Escanee el código QR para obtener actualizaciones y versiones en otros idiomas:



Versión: 2023/02-17

Apoyo técnico y servicio:

e-mail:

pavel.kozeluh@rulyt.cz

reklamace@rulyt.cz

Más información en:

www.motoe.eu